



VCT-2000

Vertical Contact Toaster

owner's manual

Manufacturing Numbers:

9210200, 9210201, 9210202, 9210203, 9210208,
9210210, 9210213, 9210215, 9210217, 9210400,
9210401, 9210402, 9210410, 9210952



Intertek



VERTICAL CONTACT TOASTER

TABLE OF CONTENTS

Owner information	2	Safety Features	10
Warranty Information	2	Fault messages	11
Service/Technical Assistance	3	Maintenance	12
Important safety information	3	Daily.....	12
Specifications	5	Replacing the Black and Silver Release Sheet (Every 4–6 weeks)	13
Electrical Specifications.....	5	Replacing Belt Wraps (Every 3–6 months)	13
Dimensions.....	5	Conveyor Belt Chains (Every 3–6 months).....	14
Electrical Cord and Plug Configurations	5	Roller Tensioners (Every 3–6 months).....	15
Installation	6	Troubleshooting	16
Unpacking.....	6	Replacement Parts	20
Equipment Setup.....	6	Wiring Diagram	26
Assembling the Unit	6	Limited Warranty	28
Operation	8		
Operating Instructions	8		
Temperature Adjustments.....	8		

OWNER INFORMATION

General

The Vertical Contact Toaster Model VCT-2000 is designed for contact toasting of buns. The toaster design allows the operator to place buns on both sides of the heated platen at the same time. Buns are placed into the top of the toaster and uniform, golden brown, warm buns are then retrieved at the base of the toaster.

This manual provides the safety, installation, and operating procedures for the Vertical Contact Toaster Model VCT-2000. We recommend that all information contained in this manual be read prior to installing and operating the unit.

Your Vertical Contact Toaster Model VCT-2000 is manufactured from the finest materials available and is assembled to Antunes's strict quality standards. This unit has been tested at the factory to ensure dependable trouble-free operation.

Warranty Information

Please read the full text of the Limited Warranty in this manual.

If the unit arrives damaged, contact the carrier immediately and file a damage claim with them. Save all packing materials when filing a claim. Freight damage claims are the responsibility of the purchaser and **are not** covered under warranty.

The warranty **does not** extend to:

- Damages caused in shipment or damage as result of improper use.
- Installation of electrical service.
- Normal maintenance as outlined in this manual.
- Malfunction resulting from improper maintenance.
- Damage caused by abuse or careless handling.
- Damage from moisture into electrical components
- Damage from tampering with, removal of, or changing any preset control or safety device.

IMPORTANT! Keep these instructions for future reference. If the unit changes ownership, be sure this manual accompanies the equipment.

VERTICAL CONTACT TOASTER

OWNER INFORMATION (continued)

Service/Technical Assistance

If you experience any problems with the installation or operation of your unit, contact your local Antunes Authorized Service Agency.

Fill in the information below and have it handy when calling your Authorized Service Agency for assistance. The serial number is on the specification plate located on the rear of the unit.

Purchased From: _____

Date of Purchase: _____

Model No.: _____

Serial No.: _____

Mfg. No.: _____

Refer to the service agency directory included with your unit.

Authorized Service Agency

Name: _____

Phone No.: _____

Address: _____

Use only genuine Antunes replacement parts in this unit. Use of replacement parts other than those supplied by the manufacturer will void the warranty. Your Authorized Service Agency has been factory trained and has a complete supply of parts for this toaster.

You may also contact the factory at +1-877-392-7854 (toll Free in the U.S.) or +1-630-784-1000 if you have trouble locating your nearest Authorized Service Agency.

IMPORTANT

Antunes reserves the right to change specifications and product design without notice. Such revisions do NOT entitle the buyer to corresponding changes, improvements, additions or replacements for previously purchased equipment.

IMPORTANT SAFETY INFORMATION

Throughout this manual, you will find the following safety words and symbols that signify important safety issues with regards to operating or maintaining the equipment.



WARNING

GENERAL WARNING. Indicates information important to the proper operation of the equipment. Failure to observe may result in damage to the equipment and/or severe bodily injury or death.



WARNING

ELECTRICAL WARNING. Indicates information relating to possible shock hazard. Failure to observe may result in damage to the equipment and/or severe bodily injury or death.



CAUTION

GENERAL CAUTION. Indicates information important to the proper operation of the equipment. Failure to observe may result in damage to the equipment.



WARNING

HOT SURFACE WARNING. Indicates information important to the handling of equipment and parts. Failure to observe caution could result in personal injury.

VERTICAL CONTACT TOASTER

IMPORTANT SAFETY INFORMATION (continued)

In addition to the warnings and cautions in this manual, use the following guidelines for safe operation of the unit.

- Read all instructions before using equipment.
- For your safety, the equipment is furnished with a properly grounded cord connector. Do NOT attempt to defeat the grounded connector.
- Install or locate the equipment only for its intended use as described in this manual. Do NOT use corrosive chemicals in this equipment.
- Do NOT operate this equipment if it has a damaged cord or plug, if it is not working properly, or if it has been damaged or dropped.
- This equipment should be serviced by qualified personnel only. Contact the nearest Authorized Service Agency for adjustment or repair.
- Do NOT block or cover any openings on the unit.
- Do NOT immerse cord or plug in water.
- Keep cord away from heated surfaces.
- Do NOT allow cord to hang over edge of table or counter.

The following warnings and cautions appear throughout this manual and should be carefully observed.

- Turn the power off, unplug the power cord, and allow unit to cool down before performing any service or maintenance.
- The toaster should be grounded according to local electrical codes to prevent the possibility of electrical shock. It requires a grounded receptacle with separate electrical lines protected by fuses or a circuit breaker of the proper rating.

- Bread may burn. Therefore toasters must not be used near or below curtains or other combustible walls and materials. Failure to maintain safe operating distances may cause discoloration or combustion.
- When installing the conveyor Belt Wrap, be careful not to wrap it around the upper and lower support rods or permanent damage to belt will occur. Make sure the Belt Wrap is positioned between the upper and lower support rods.
- Make sure both ends of Belt Wrap are aligned evenly before installing Belt Wrap Pin.
- Failure to use Release Sheets may result in damage to the equipment and loss of warranty coverage.
- Do NOT clean this appliance with a water jet.
- If supply cord is damaged, it must be replaced by the manufacturer or its service agent, or a similarly qualified person.
- All electrical connections must be in accordance with local electrical codes and any other applicable codes.
- **WARNING, ELECTRICAL SHOCK HAZARD. FAILURE TO FOLLOW THESE INSTRUCTIONS COULD RESULT IN SERIOUS INJURY OR DEATH.**
 - Electrical ground is required on this unit.
 - Do NOT modify the power supply cord plug. If it does not fit the outlet, have a proper outlet installed by a qualified electrician.
 - Do NOT use an extension cord with this unit.
 - Check with a qualified electrician if you are unsure if the unit is properly grounded.

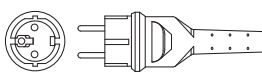
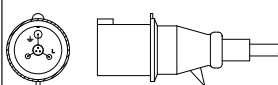
VERTICAL CONTACT TOASTER

SPECIFICATIONS

Electrical Specifications

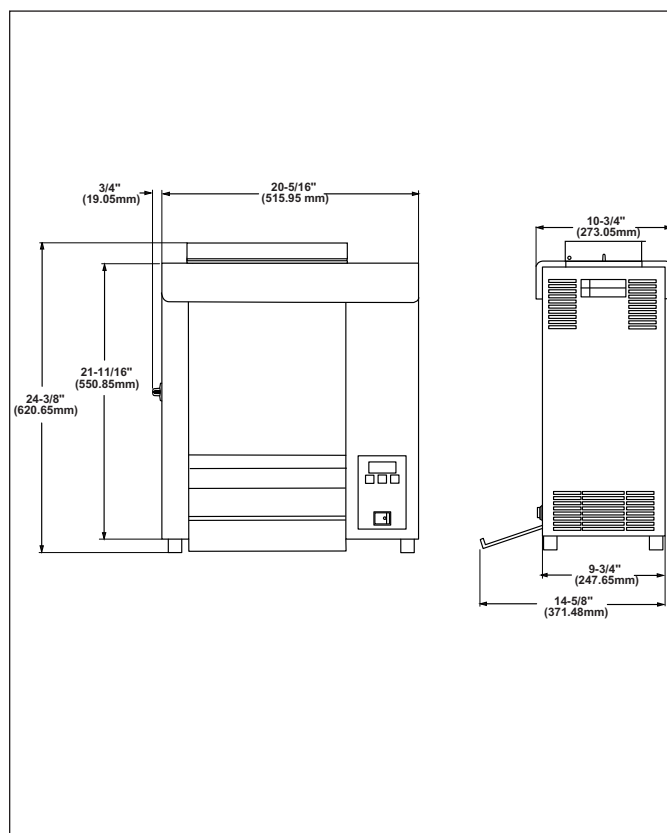
Model & Mfg. No.	Volts	Watts	Amp.	Hz.
VCT-2000 9210200 9210201 9210202 9210203 9210208 9210210 9210213 9210215 9210217 9210952	220 - 240	3019 - 3593	13.7 - 15	50
VCT-2000 9210400 9210401 9210402 9210410 Heated Base	220 - 240	3058 - 3640	13.9 - 15.2	50

Electrical Cord and Plug Configurations

Model & Mfg. No.	Plug Description	Plug Configuration
VCT-2000 9210200 9210203 9210208 9210210 9210213 9210215 9210217 9210400 9210401 9210410 9210952	CEE 7/7, 16 Amp., 250 VAC (Assembly Only).	
VCT-2000 9210201 9210202 9200402	IEC-309, 16 Amp., 250 VAC. Pin & Sleeve (Assembly Only).	

Dimensions

Model & Mfg. No.	Width (A)	Depth (B)	Height (C)
VCT-2000 9210200	21 1/4" (540 mm)	15 1/4" (387 mm)	23 1/4" (591 mm)
VCT-2000 9210201	21 1/4" (540 mm)	15 1/4" (387 mm)	23 1/4" (591 mm)
VCT-2000 9210202	21 1/4" (540 mm)	15 1/4" (387 mm)	23 1/4" (591 mm)
VCT-2000 9210203	21 1/4" (540 mm)	15 1/4" (387 mm)	24 1/4" (616 mm)
VCT-2000 9210208	21 1/4" (540 mm)	15 1/4" (387 mm)	23 1/4" (591 mm)
VCT-2000 9210210	21 1/4" (540 mm)	15 1/4" (387 mm)	23 1/4" (591 mm)
VCT-2000 9210213	21 1/4" (540 mm)	15 1/4" (387 mm)	23 1/4" (591 mm)
VCT-2000 9210215	21 1/4" (540 mm)	15 1/4" (387 mm)	23 1/4" (591 mm)
VCT-2000 9210217	21 1/4" (540 mm)	15 1/4" (387 mm)	23 1/4" (591 mm)
VCT-2000 9210401 9210400 Heated Base	21 1/4" (540 mm)	10 3/4" (273 mm)	23 1/4" (591 mm)
VCT-2000 9210410 Heated Base	21 1/4" (540 mm)	10 3/4" (273 mm)	23 1/4" (591 mm)
VCT-2000 9210402 Saudi Arabia	21 1/4" (540 mm)	10 3/4" (273 mm)	23 1/4" (591 mm)
VCT-2000 9210952	21 1/4" (540 mm)	15 1/4" (387 mm)	23 1/4" (591 mm)



VERTICAL CONTACT TOASTER

INSTALLATION

Unpacking

1. Remove the unit and all packing materials from shipping carton.
2. Open the included large box. It should contain the following:
 - Bun Chute (Figure 1) some models only.
 - Bun Feeder (Figure 1) some models only.
 - Two Release Sheets (Figure 1).
 - Owner's Manual.
 - Maintenance Card (some models only).
 - Authorized Service Agency Directory.
3. Remove all shipping tape and protective coverings from the unit and parts.

NOTE: If any parts are missing or damaged, contact Antunes Technical Service IMMEDIATELY at +1-877-392-7856 (toll free in the U.S.) or +1-630-784-0886.

Equipment Setup

Before placing the toaster into service, pay attention to the following guidelines:

- Make sure power to the unit is off and the toaster is at room temperature.
- Do NOT block or cover any openings on the unit.
- Do NOT immerse cord or plug in water.
- Keep cord away from heated surfaces.
- Do NOT allow cord to hang over edge of table or counter.
- Connect the unit to the proper power supply. Refer to the specification plate for proper voltage

WARNING

Failure to use Release Sheets may result in damage to the unit and loss of warranty coverage.

Assembling the Unit

NOTE: The factory has pre-installed a Release Sheet over the Platen (Figure 1). Verify that it is properly in place before proceeding.

1. Remove Bun Chute (some models) and Bun Feeder from the box and install (Figure 1).

IMPORTANT: Make sure heat shield assembly is activating the Conveyor Safety Interlock Switch (see Figure 1). The conveyors will not rotate unless the Heat Shield is in place and Conveyor Safety Interlock Switch is activated.

CAUTION

Bread may burn. Therefore toasters must not be used near or below curtains or other combustible walls and materials. Failure to maintain safe operating distances may cause discoloration or combustion.

WARNING

ELECTRICAL SHOCK HAZARD. FAILURE TO FOLLOW THE INSTRUCTIONS IN THIS MANUAL COULD RESULT IN SERIOUS INJURY OR DEATH.

- Electrical ground is required on this appliance.
- Do NOT modify the power supply cord plug. If it does not fit the outlet, have a proper outlet installed by a qualified electrician.
- Do NOT use an extension cord with this appliance.
- The toaster should be grounded according to local electrical codes to prevent the possibility of electrical shock. It requires a grounded receptacle with separate electrical lines protected by fuses or a circuit breaker of the proper rating.
- Check with a qualified electrician if you are unsure if the appliance is properly grounded.

CAUTION

All electrical connections must be in accordance with local electrical codes and any other applicable codes.

VERTICAL CONTACT TOASTER

INSTALLATION (continued)

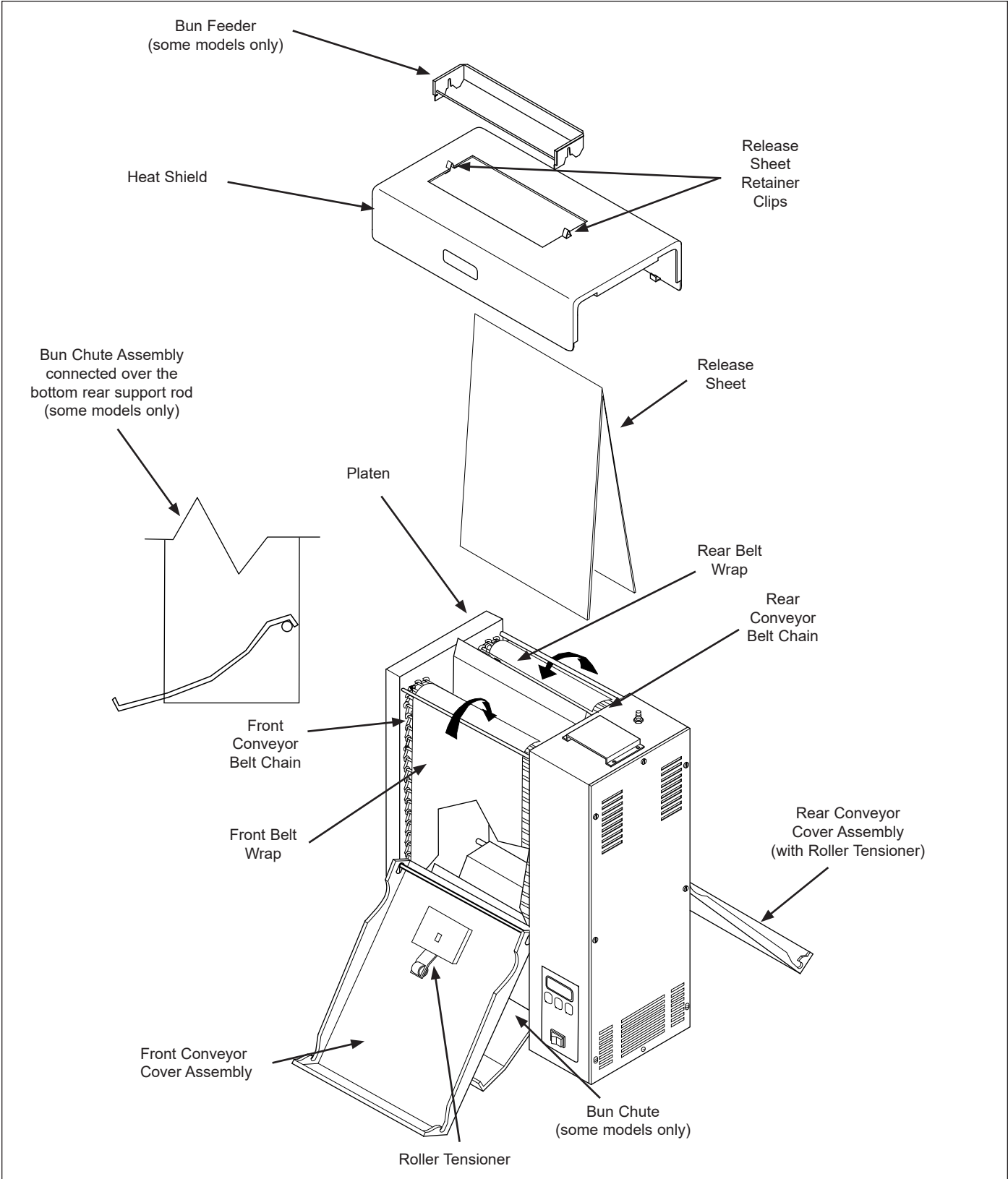


Figure 1. VCT-2000 Toaster

VERTICAL CONTACT TOASTER

OPERATION

Operating Instructions

1. Set the Bun Thickness Adjustment Controls (Figure 3) to desired setting.

NOTE: Recommended settings are #2 for heel and #6 for crown.

2. Turn the Rocker Switch on. (Figure 2). Allow the toaster to warm-up for 30 minutes before proceeding.

NOTE: The temperature display (Figure 2) will flash "LO" until the toaster reaches its preset operating temperature. When the toaster approaches the preset temperature of 600°F (315°C), "USE" appears in the temperature display and the unit is ready to toast buns. If "USE" does not appear in the window after warm-up period of approximately 30 minutes, contact your Authorized Service Agency.

3. Drop Crowns and Heels into the slot (Figure 2). **Cut sides of heel and crown must face each other.**
4. Toasted buns will drop into the bun landing area (Figure 2).
5. Test at least four buns before putting the toaster into service.
6. Turn the Rocker Switch off when finished toasting for the day and proceed with the **Daily Cleaning** as outlined in the Maintenance section of this manual.

Temperature Adjustments

The VCT-2000 uses a Platen Heater and two Auxiliary Air Heaters. The Platen Heater consists of a heating element built into the Platen to toast the cut side of the bun. The two Auxiliary Heaters assist in providing additional heat to the buns. The first Auxiliary Air Heater is located between the conveyor in the front of the toaster. The second Auxiliary Heater is located between the conveyor at the rear of the unit.

RECOMMENDED TEMPERATURES

Recommended temperature setting for the Platen heater is 600°F (315°C).

Recommended temperature setting for the Auxiliary Air Heaters is 400°F (204°C).

NOTE: The toaster is tested and shipped with the heaters set at the above recommended temperatures.

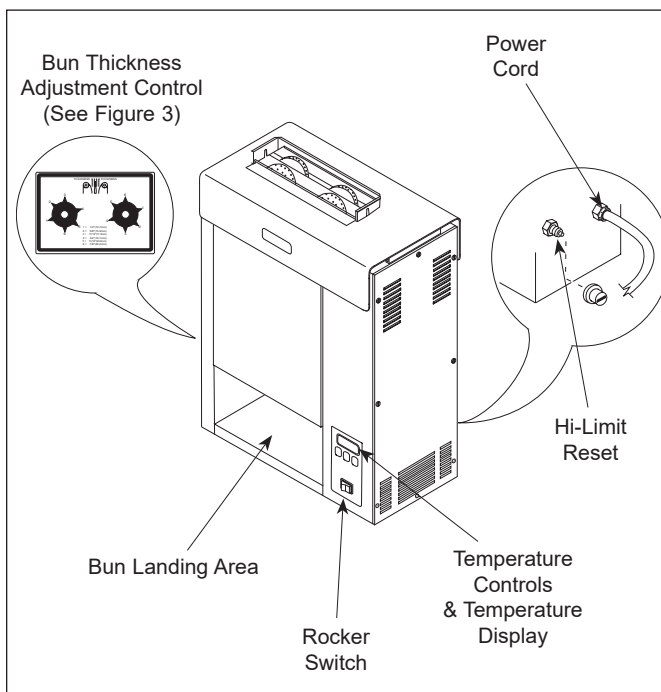


Figure 2. VCT-2000 Toaster

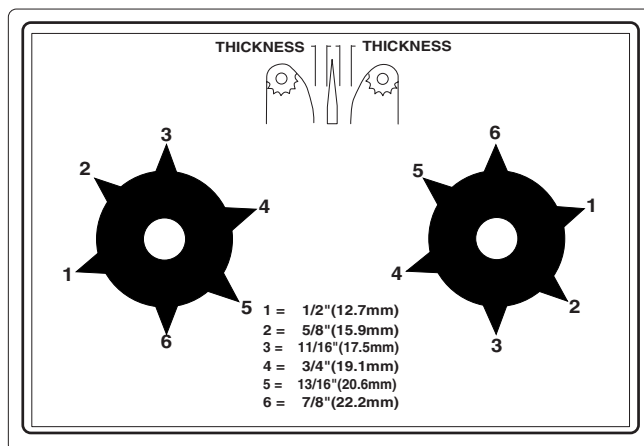


Figure 3. Bun Thickness Adjustment Controls

OPERATION (continued)

TEMPERATURE CONTROL PANEL

NOTE: The term “set point temperature” refers to the desired temperature setting.

To display the actual Platen temperature—providing it is over 440°F (227° C)—press the **TEMP UP** button.

To display the actual Auxiliary Air Heater temperature—providing it is over 360°F (182°C)—press the **TEMP DOWN** button.

To switch the temperature display between Fahrenheit (°F) and Celsius (°C), press and hold the **TEMP SCALE** button for 5 seconds.

PLATEN HEATER TEMPERATURE ADJUSTMENT

1. Turn the Rocker Switch on and wait for the Temperature Display to finish the power up sequence (Figure 4).
2. Press and hold the **TEMP UP** and **TEMP DOWN** buttons for over 1 second until the display flashes the Platen set point temperature, then release (Figure 5).
3. Press the **TEMP UP** button to raise the set point temperature or press the **TEMP DOWN** button to lower the set point temperature.

NOTE: The Maximum Platen Set point Temperature is 600°F (315°C). If no change in temperature is made within 5 seconds, the display reverts back to the previous set point.

4. Release the button when the desired set point is displayed.

AUXILIARY AIR HEATER TEMPERATURE ADJUSTMENT

1. Turn the Rocker Switch on and wait for Temperature Display to finish the power up sequence (Figure 4).
2. Press and hold the **TEMP UP** and **TEMP SCALE** buttons for over 1 second until the display flashes the set point temperature, then release (Figure 6).
3. Press the **TEMP UP** button to raise the set point temperature or press the **TEMP DOWN** button to lower the set point temperature.

NOTE: The maximum Auxiliary Air Heater Set point Temperature is 400°F (204°C).

4. Release the button when the desired set point is displayed.

NOTE: If no change in temperature is made within 5 seconds, the display reverts back to the previous set point.

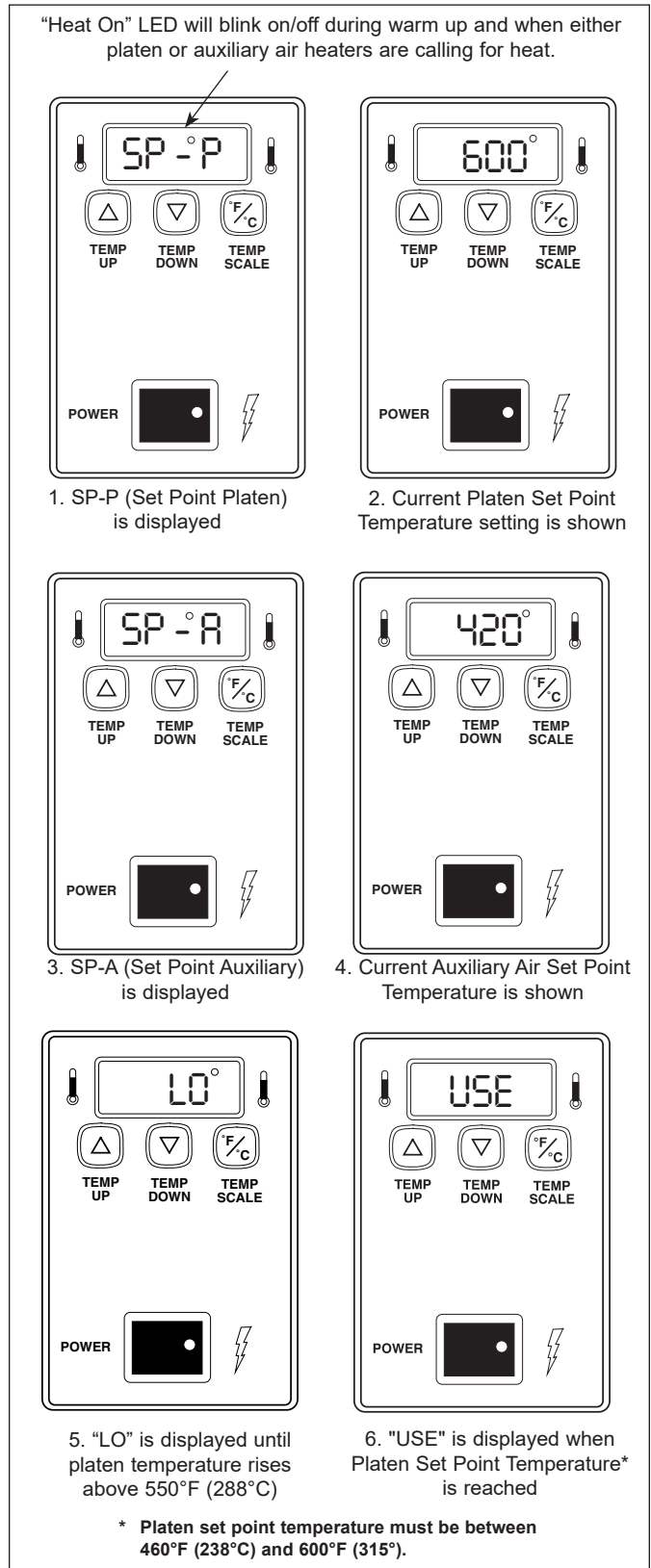


Figure 4. Temperature Power Up Sequence

VERTICAL CONTACT TOASTER

OPERATION (continued)

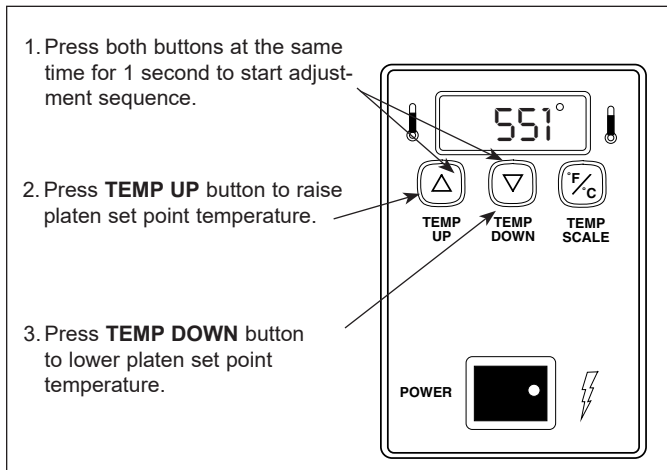


Figure 5. Platen Heater Set Point Temperature

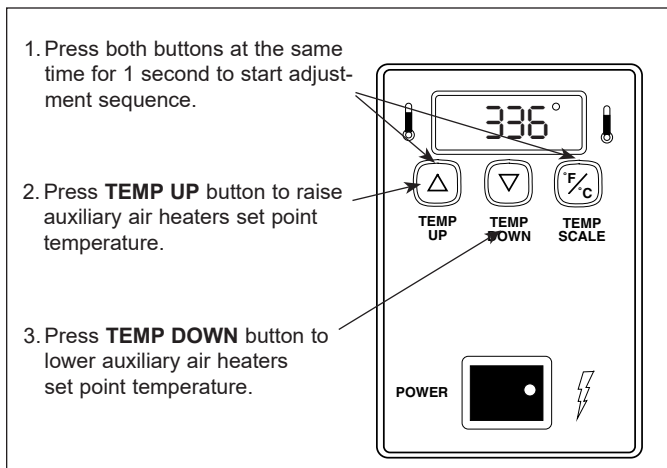


Figure 6. Auxiliary Air Heaters Set Point Temperature

Safety Features

HI-LIMIT RESET BUTTON

A Hi-Limit Control turns off electrical power to the heater and control circuits if the platen overheats. To reset the control, allow sufficient time (10-15 minutes) for the unit to cool, then locate the Reset Button at the rear of the unit. Remove the black protective cap, press the Reset Button, and reinstall the protective cap (Figure 2).

NOTE: If the unit requires continuous resetting, contact your Authorized Service Agency.

OPERATION (continued)

Fault messages

- If the Platen Thermocouple is disconnected or “open”, the display will flash “HI.” The Platen Thermocouple must be reattached or replaced.
- If the Platen Heater temperature exceeds 620°F (327°C) the display will flash “HI” and the heating circuit will turn off (Figure 7). After the toaster has cooled down, the unit must be turned off, then back on to restart. If this condition repeats, contact your Authorized Service Agency.
- If the Auxiliary Heating temperature exceeds 420°F (215°C) the display will alternately flash “HI” and “USE” (Figure 7). After the toaster has cooled down, the unit must be turned off, then back on to restart. If this condition repeats, contact your Authorized Service Agency.
- The temperature controller has an ambient temperature sensor that will disable the heating circuits if the control compartment ambient temperature becomes excessive: 140°F (60°C) to 180°F (82°C).

When this occurs, the temperature display will flash “CHEC” (Figure 8). To restart the unit, ambient must drop to 140°F (60°C) and the unit must be turned off, then back on. If this condition repeats, contact your Authorized Service Agency.

- If incoming power drops below 175 Volts, the heating circuits are disabled and the display will read “PO” (Figure 9). To reset, the voltage must be over 190 Volts, then the unit must be turned off and back on. If this condition repeats, contact your Authorized Service Agency.
- The “PH” fault message (Figure 9) is displayed if the A/C isolator board is defective or if there is loose wiring between the phase control and the A/C isolator board.

Turn the power switch off and then back on. If the “PH” fault does not clear, contact your Authorized Service Agency for service.

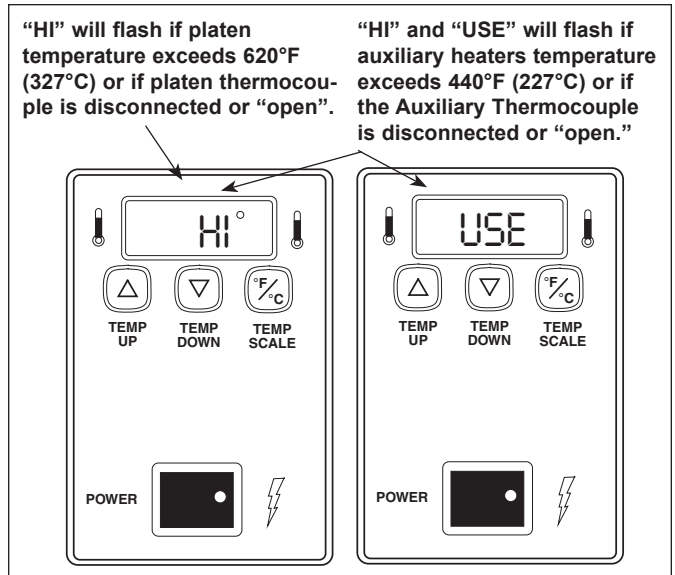


Figure 7. “HI” Fault Message

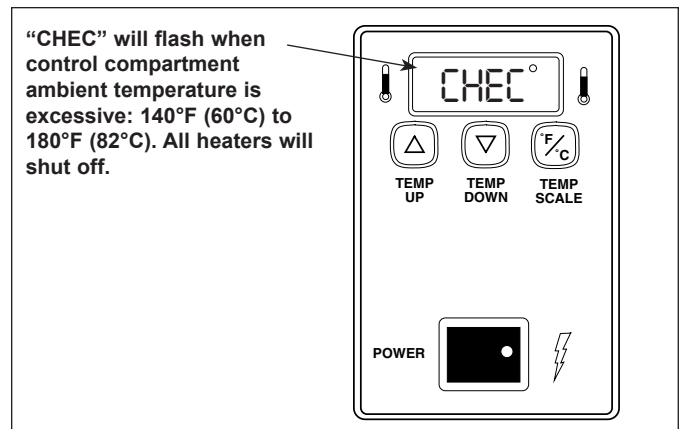


Figure 8. “CHEC” Fault Message

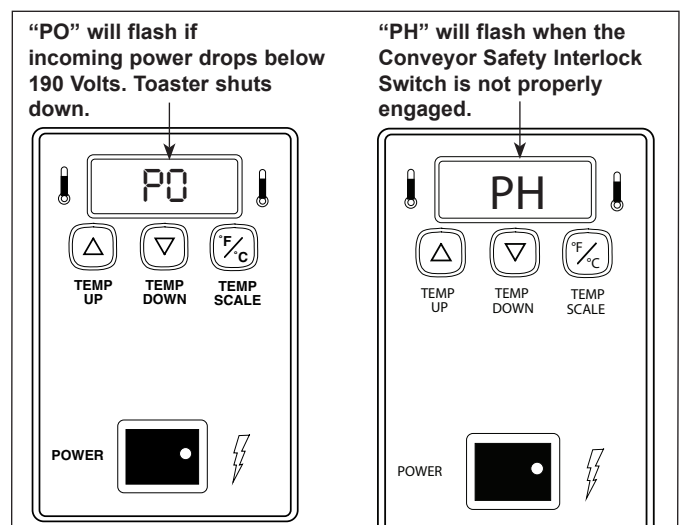


Figure 9. “PO” and “PH” Fault Messages

VERTICAL CONTACT TOASTER

MAINTENANCE

⚠ WARNING ⚠

Turn the power off, unplug the power cord, and allow the unit to cool down 30 minutes before performing any service or maintenance.

⚠ CAUTION ⚠

To prevent damage to the unit, do NOT use abrasive cleaners on the Release Sheet or Belt Wrap.

⚠ CAUTION ⚠

Failure to use Release Sheets may result in damage to the unit and loss of warranty coverage.

Daily

CLEANING THE BLACK AND SILVER RELEASE SHEET, CONVEYOR BELT WRAPS, AND TOASTER

Tools Required:

- Heat-resistant gloves
- Clean towels
- Multipurpose Detergent Solution
- Sanitizer Solution

1. Turn the Rocker Switch off, unplug the power cord, and allow the unit to cool for 30 minutes.
2. Put on heat-resistant gloves. Remove the Bun Feeder, Heat Shield, and Bun Chute (some models). Wipe them with a damp sanitized towel and allow them to air dry.
3. Remove the Release Sheet and place it on a clean, flat dry surface. Wipe the silver side with a **clean** towel dampened with **Multipurpose Detergent Solution** immediately followed by a second clean towel dampened with sanitizer and allow it to air dry before continuing. Repeat this step on the black side of the Release Sheet once the silver side is dry.
4. Open the front Conveyor Cover and firmly wipe the black Belt Wrap from left to right and top to bottom with a clean towel dampened with **Multipurpose Detergent Solution** immediately followed by a second clean towel dampened with sanitizer.
5. Close the front Conveyor Cover, open the rear Conveyor Cover, and clean the Belt Wrap as described in Step 4.

6. Close the rear Conveyor Cover, reinstall the Heat Shield, plug in the power cord, turn the unit on, until the uncleaned portion of the Belt Wrap is accessible. Then turn the unit off and unplug the unit.
7. Remove the Heat Shield, then open the rear Conveyor Cover and clean the newly exposed section of the Belt Wrap in the same manner as before. Close the Conveyor Cover.
8. Open the front Conveyor Cover again and clean the newly exposed section of the Belt Wrap in the same manner as before.
9. Close the front Conveyor Cover and wipe down the outside of the toaster with a clean, damp, sanitized towel.
10. Install the Release Sheet by draping it over both sides of the Platen with the crease centered on the Platen.

NOTE: Rotate from the black side to the silver side daily or weekly to prolong the life of the Release Sheet.

11. Install the Bun Chute so the hooks are installed over the lower rear yellow Support Rod. Install the Heat Shield with the Release Sheet Retainer clips securely over the Release Sheet and Platen.
12. Reinstall the Bun Feeder and plug in the unit.

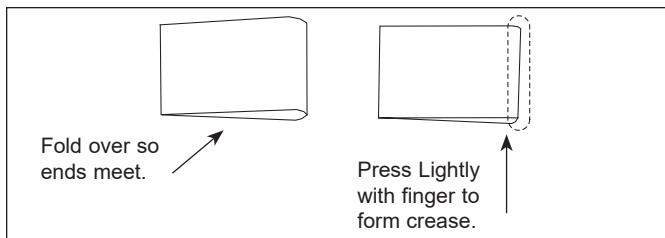
NOTE: Check the Release Sheet to make sure it is not caught in the Conveyor. Additional Release Sheets can be obtained through your Authorized Service Agency under P/N 7000249 (3-Pack) or 7000250 (10-Pack).

MAINTENANCE (continued)

Replacing the Black and Silver Release Sheet (Every 4–6 weeks)

NOTE: Depending on toaster usage and on how well it is cleaned daily, the black and silver Release Sheet should last 45 to 60 days.

1. Remove and discard the Release Sheet.
2. Lay a new Release Sheet on a clean, dry surface and fold it in half lengthwise and gently crease it at the fold using only your fingers.
3. Install the Release Sheet.



Replacing Belt Wraps (Every 3–6 months)

NOTE: Depending on toaster usage and how well they are cleaned daily, the black Belt Wraps should last 3 to 6 months. Additional Belt Wraps may be purchased from your Authorized Service Agency.

1. Turn the Rocker Switch off, unplug the power cord, and allow the unit to cool.
2. Remove the Bun Feeder and Heat Shield and set the Compression Control Knobs to 6 and 6.
3. Open both Conveyor Covers and pull the Belt Wrap Pin out of the “zipper” (Figure 11).
4. Remove and discard the old Belt Wrap(s).
5. Clean both Conveyor Belt Chains just as you would clean the Belt Wraps during daily cleaning (Figure 11).
6. Install the new Belt Wrap(s) around the Conveyor Belt Chains inside the yellow rods with the “zipper” flap exposed and hanging down (Figures 12 & 13).
7. Close the Conveyor Cover(s), set the Compression Control Knobs back to their normal settings and reinstall the Heat Shield and Bun Feeder.

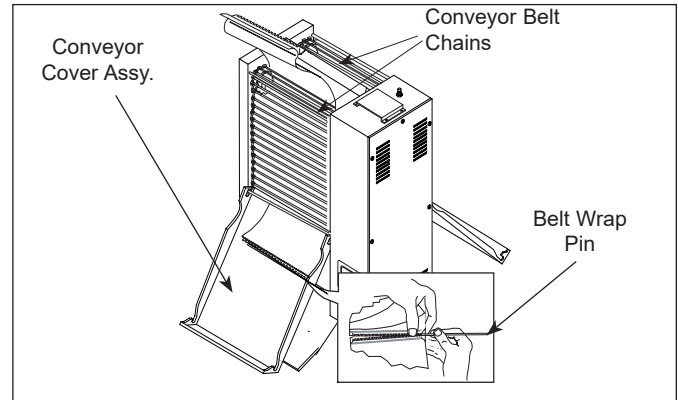


Figure 11. Removing Belt Wrap

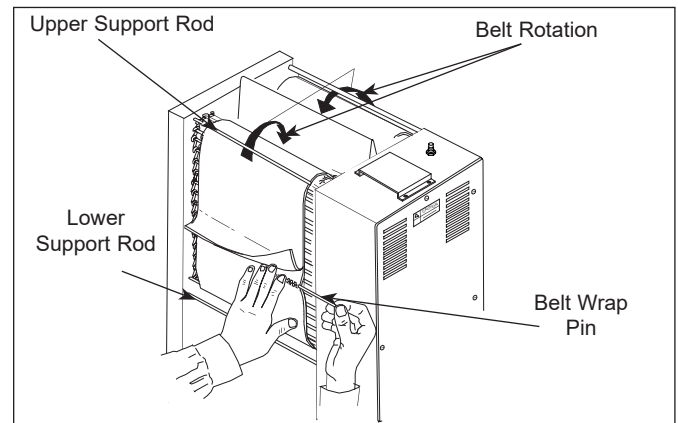


Figure 12. Installing Belt Wrap

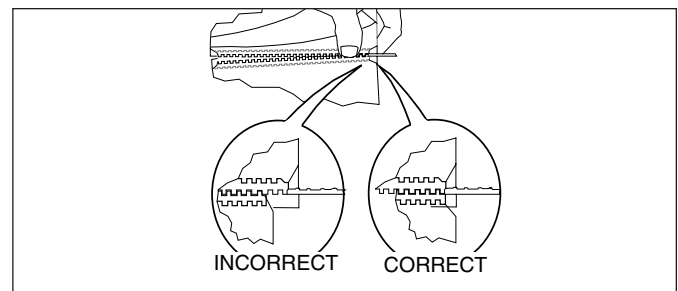


Figure 13. Aligning Belt Teeth

▲ CAUTION ▲

Align the ends of the Belt Wrap properly (Figure 13) or the Belt Wrap may be damaged. Position the Belt Wrap between the upper and lower yellow support rods or damage to the unit may occur.

VERTICAL CONTACT TOASTER

MAINTENANCE (continued)

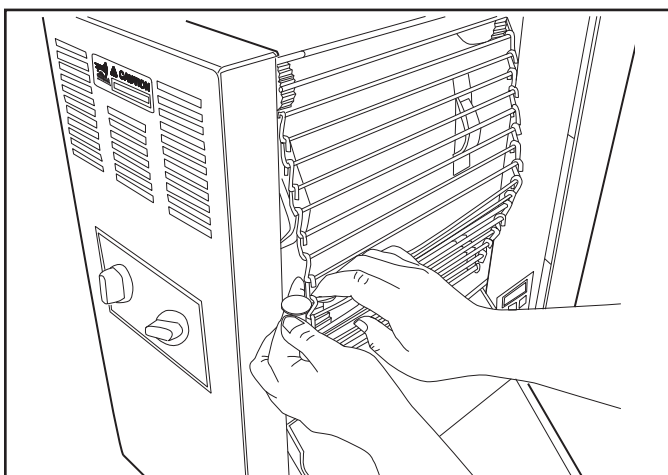
⚠ WARNING ⚠

Turn the power off, unplug the power cord and allow the unit to cool down before performing any service or maintenance.

Conveyor Belt Chains (Every 3–6 months)

MEASURING CONVEYOR BELTS CHAINS

Facing the toaster, locate the approximate center point of the Conveyor Chain. Pull the Conveyor Chain away from the edge of the toaster. Stand a U.S. Dime, 11/16" (1.8 cm) coin on end between the frame and the chain. If the gap is significantly wider than the coin, REMOVE links as described below. Then, measure the gap again to make sure it is not too tight. Check the opposite side of the toaster using the same measurements.



ADJUSTING CONVEYOR BELT CHAINS

After a time, the Conveyor Chain links will wear and the Conveyor Belt chain will stretch, eventually skipping on the sprockets. This is easily remedied by removing one or more conveyor links from each side of the belt. There are two 1/2" small links on each side of the conveyor belt. The others are large, 3/4" long (Figure 14).

REMOVING CONVEYOR BELT CHAINS

1. Perform steps 1 - 4 under **Replacing Belt Wraps** on the previous page.
2. Disconnect the Conveyor Belt Chain by squeezing any two links together and unhooking both ends of one link (Figure 14).
3. To shorten a stretched Conveyor Belt Chain, remove one 1/2" link from the belt.

4. Reassemble the Conveyor Belt Chain onto the sprockets as described below.

NOTE: If the belt is too short to be reassembled, remove an additional 1/2" small link and install a 3/4" large link. This will shorten the belt 1/4".

REPLACING CONVEYOR BELT CHAINS

1. Remove the old Conveyor Belt Chain as described in the previous steps.
2. Place the replacement Conveyor Belt Chain on the top sprockets with hook ends down. Check for correct positioning (Figure 14).

NOTE: The ends of the hooks must point down. (Figure 14).

3. Wrap the Conveyor Belt Chain around lower sprockets and connect by hooking both ends together.

NOTE: Make sure the Conveyor Belt Chain is installed under the Upper Support Rod and over the Lower Support Rod.

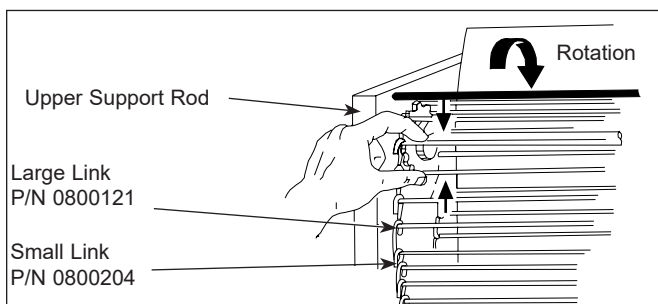


Figure 14. Removing Conveyor Belt Chains

MAINTENANCE (continued)

Roller Tensioners (Every 3–6 months)

MEASURING ROLLER TENSIONERS

1. Measure the Roller Tensioner on both inner Conveyor Covers (See illustration). Adjust or replace any damaged ones as recommended. The space between the inner Conveyor Cover and bottom of the tensioner wheel should be $\frac{13}{16}$ " (2.1 cm) or the height of a U.S. Nickel.

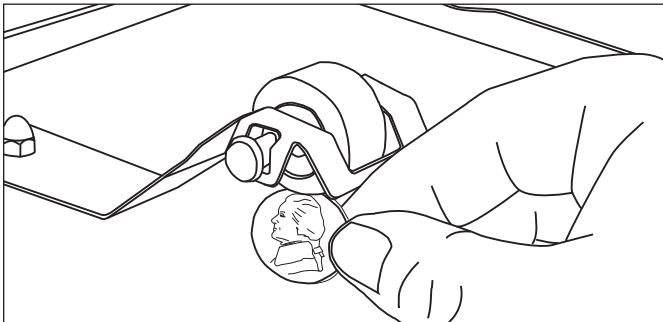


Figure 15. Measuring Roller Tensioner

REPLACING ROLLER TENSIONERS

1. Push down on retaining tab of the tensioner.
2. While keeping pressure on the retaining tab, slide the tensioner out of the retainer plate.
3. Replace the tensioner by sliding the new one into the retainer plate.

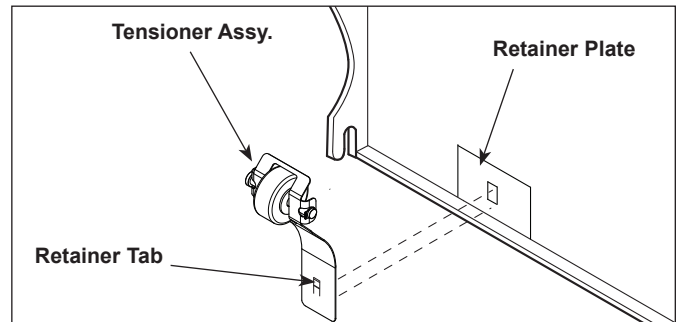


Figure 16. Replacing Roller Tensioner Assy.

VERTICAL CONTACT TOASTER

TROUBLESHOOTING



To avoid possible personal injury and/or damage to the unit, inspection, test and repair of electrical equipment should be performed by qualified service personnel. The unit should be unplugged when servicing, except when electrical tests are required. Use extreme care during electrical circuit tests. Live circuits will be exposed.

Problem	Possible Cause	Corrective Action
Control Display Flash- es "LO" continuously Buns not toasting properly.	Platen temperature is below 440°F (226°C).	Allow the unit to warm up for 30 minutes and then recheck. If the Control Display still reads "LO," con- tact your maintenance person or Authorized Service Agency for service.
Control display flash- es "LO" continuously. Buns burn.	Failed Platen Thermocouple.	Contact your maintenance person or Authorized Service Agency for service.
	Failed Control Board.	
Temperature display flashes "PH".	The Heat Shield is not fully engag- ing the Conveyor Safety Interlock Switch. (Note: This applies only to units manufactured before 3/1/17.)	Reposition the Heat Shield so that it fully engages the Conveyor Safety Interlock Switch.
	Loose wiring between the phase control and A/C isolator boards.	Contact your maintenance person or Authorized Service Agency.
Control Display flashes "PO" continu- ously.	The power to the unit is below 190 volts.	Turn the Rocker Switch off and then back on. If the display still shows "PO," check the power cord, plug, and outlet for damage. Reset the Circuit Breakers. Contact your maintenance person, Authorized Service Agency, or electrician for service.
	Failed Control Board.	
	Failed Transformer.	
Control flashes "CHEC" continuously.	Control Compartment temperature is above 140°F.	Verify side vents on toaster are unblocked and not near other heating appliances. If problem still per- sists, contact your maintenance person or Autho- rized Service Agency for service.
	Failed Cooling Fan.	
	Failed Control Board.	
Control Display flashes "HI" continu- ously. Buns burn.	Failed Platen Solid State relay.	Contact your maintenance person or Authorized Service Agency for service.
	Failed Control Board.	
	Failed Platen Thermocouple.	
Control Display flash- es "HI" continuously. Buns not toasting properly.	Loose Platen Thermocouple connec- tion on Control Board or the Platen Thermocouple is open.	Re-secure the Platen Thermocouple connection to the Control Board. If the Control Display still reads "HI," check the Thermocouple for continuity. Con- tact your maintenance person or Authorized Service Agency for service.
	Failed Control Board.	
Control Display flashes "HI" & "LO" at cold start up, then "HI" & "USE" after 20 - 30 minutes.	Loose Auxiliary Thermocouple con- nection on Control Board or Thermo- couple is "open."	Re -secure the Auxiliary Thermocouple connection to the Control Board. If the Control Display still reads "HI" & "LO" or "HI" & "USE," check Thermocouple for continuity. Contact your maintenance person or Authorized Service Agency for service.

VERTICAL CONTACT TOASTER

TROUBLESHOOTING (continued)

Problem	Possible Cause	Corrective Action
No Control Display.	Unit not plugged in.	Plug unit into the proper electrical outlet.
	Hi-Limit control has tripped.	Allow unit to cool and reset the Hi-Limit control. If it trips again, contact your maintenance person or Authorized Service Agency.
	Circuit Breakers turned off or tripped. Damaged electrical outlet, plug, or cord. Power On/Off Rocker Switch damaged.	Reset Circuit Breakers. If they trip again, check the cord, plug, and outlet for damage. Contact your maintenance person, Authorized Service Agency, or electrician.
Conveyor does not turn.	Safety Interlock Switch is not activated. (Note: This applies only to units manufactured before 3/1/17.)	Reposition the Heat Shield properly.
	Heat Shield is bent or damaged.	Replace Heat Shield (P/N 0011528).
	Damaged or Missing Roller Tensioner(s).	Adjust or replace Roller Tensioner(s).
	Conveyor Belt/Chain has stretched. Chain skipping on sprockets.	Measure and adjust the Conveyor Belt Chains as described in the Maintenance section of this manual.
	Motor Drive Chain came off Sprocket(s).	Reinstall Drive Chain.
	Drive Chain needs lubrication.	Lubricate chain with (P/N 2190152).
	Drive Motor has overheated.	Allow unit to cool and check Conveyor(s) for obstructions or binding at sprockets. Measure and adjust Conveyor Belt(s) as described in the Maintenance section of this manual.
	Drive Motor has failed.	Contact your maintenance person or Authorized Service Agency for service.
Buns not toasting adequately.	Compression Settings are incorrect.	Use the recommended settings. Set Heel to 2 and Crown to 6.
	Temperature Setting is incorrect.	Verify that the Platen (SP-P) is set to 600°F (315°C) and the Auxiliary (SP-A) is set to 400°F (204°C). For making changes in the set point temperature, see the Installation section of this manual.
	Release Sheet is worn or needs cleaning (replace every 4–6 weeks).	Inspect Release Sheet for cleanliness, worn spots, tears, or wrinkles. Clean or replace Release Sheet as described in the Maintenance section of this manual.
	Belt Wraps are worn or need cleaning (replace every 3–6 months).	Replace or clean Belt Wraps as described in the Maintenance section of this manual.
	Belt Wraps are not tacky/sticky.	Clean or replace Belt Wraps as described in the Maintenance section of this manual.
	Buns do not meet specifications.	Contact your Bun supplier.
	Non-OEM Release Sheets used.	Use only OEM Release Sheets (P/N 7000250).

VERTICAL CONTACT TOASTER

TROUBLESHOOTING (continued)

Problem	Possible Cause	Corrective Action
Crowns and/or Heels must be forced into the toaster. Buns sticking and burning.	Belt Wraps not being cleaned properly.	Clean Belt Wraps as described in the Maintenance section of this manual.
	Conveyor Belt Wraps are not tacky/sticky (replace every 3–6 months).	Clean Belt Wraps. If the Belt Wraps are too worn, replace them as described in the maintenance section of this manual.
	Belt Wraps are dirty, worn, or damaged (replace every 3–6 months).	Clean or replace Belt Wraps as described in the Maintenance section of this manual.
	Release Sheet is not being cleaned properly.	Clean both sides of the black and silver Release Sheet as described in the Maintenance section of this manual.
	Release Sheet is not being reversed as required.	Reverse the Release Sheet or replace Release Sheet as described in the Maintenance section of this manual.
	Release Sheet is dirty, worn, or damaged (replace every 4–6 weeks).	Clean or replace Release Sheet as described in the Maintenance section of this manual.
	Conveyor Belt Chains are skipping on Sprockets.	Measure and adjust the Conveyor Belt Chains as described in the Maintenance section of this manual.
	Conveyor Safety Interlock Switch is not being activated by the Heat Shield. (Note: This applies only to units manufactured before 3/1/17.)	Heat Shield is ajar. Reposition Heat Shield.
		Heat Shield is damaged. Replace if necessary. If the Conveyor Safety Interlock Switch is damaged, contact your maintenance person or Authorized Service Agency for service.
	Belt Wraps slipping over Conveyor Belt Chains.	Remove Belt Wraps and clean the Conveyor Belt Chain links and Belt Wraps as described in the Maintenance section of this manual.
	Roller Tensioner(s) damaged or missing.	Reinstall or replace Roller Tensioner(s) as described in the Maintenance section of this manual.
	Drive Motor stalls intermittently.	Contact your maintenance person or an Authorized Service Agency for service.
	Compression Settings are incorrect.	Use the recommended settings. Set Heel to 2 and Crown to 6.
Buns are not inserted into the toaster properly.	Buns must be inserted with the cut sides facing each other on the correct Heel or Crown side.	
Non-OEM or damaged Belt Wraps used.	Replace with OEM Belt Wraps (P/N 7000964).	
New Conveyor Belt Wraps do not fit.	Compression Settings are incorrect.	Set Compression Knobs to 6 and 6 when replacing Belt Wraps or when adjusting Conveyor Belt Chains.
	Belt Wraps not installed correctly.	Install Belt Wraps inside the Yellow Support Rods with the “zipper flap” exposed and hanging down.
	Non-OEM or damaged Belt Wraps used.	Replace with OEM Belt Wraps (P/N 7000964).

VERTICAL CONTACT TOASTER

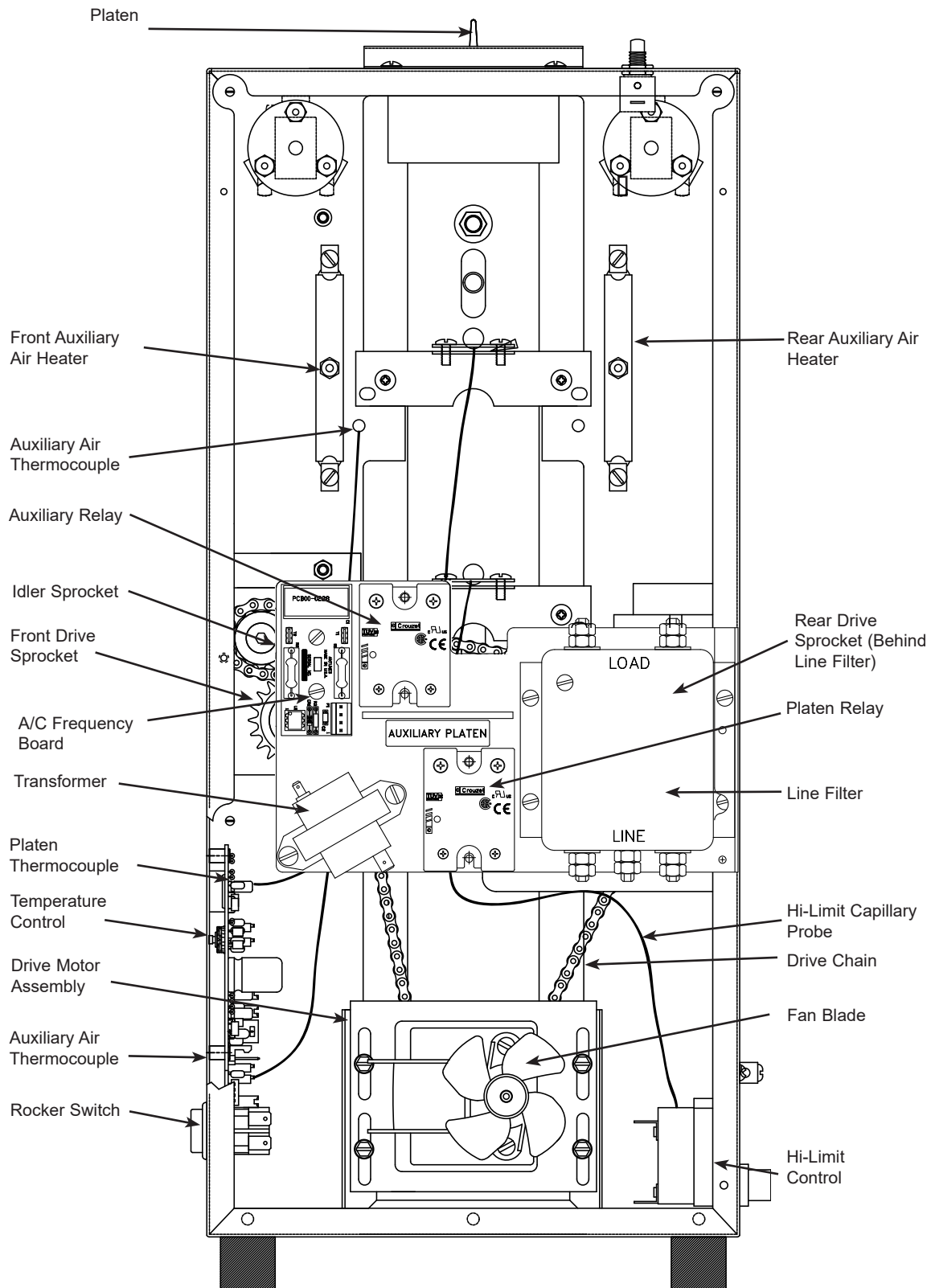
TROUBLESHOOTING (continued)

Problem	Possible Cause	Corrective Action
Toaster makes unusual sounds.	Compression Settings are too tight.	Set Compression Settings to the correct (or larger) setting.
	Conveyor Belt Wrap is installed incorrectly.	Belt Wraps must be installed as described in the Maintenance section of this manual.
	Belt Wrap Pin rubbing on housing.	Center the Pin in the Belt Wrap "zipper."
	Roller Tensioner(s) bent or missing.	Measure, adjust, or replace the Roller Tensioner(s) as described in the Maintenance section of this manual.
	Conveyor Belt Chains have stretched.	Measure and adjust the conveyor Belt Chains as described in the Maintenance section of this manual.
	Conveyor Belt Chains adjusted incorrectly.	
	Sugar and/or carbon has accumulated inside the Conveyor Belt Wrap and between the Conveyor Belt Chain and Tensioner Slide Rails.	Remove Belt Wraps, clean Conveyor Belt Chain links just as you clean the Belt Wraps daily, and then clean the Slide Rails on the Tensioners. Next, clean the Belt Wrap on both sides before reinstalling it.
	Motor Drive Chain needs lubrication.	Lubricate the Drive Chain carefully with P/N 2140152 at least once a year.
	A Conveyor Shaft bearing is binding.	Contact your maintenance person or Authorized Service Agency for service.

VERTICAL CONTACT TOASTER

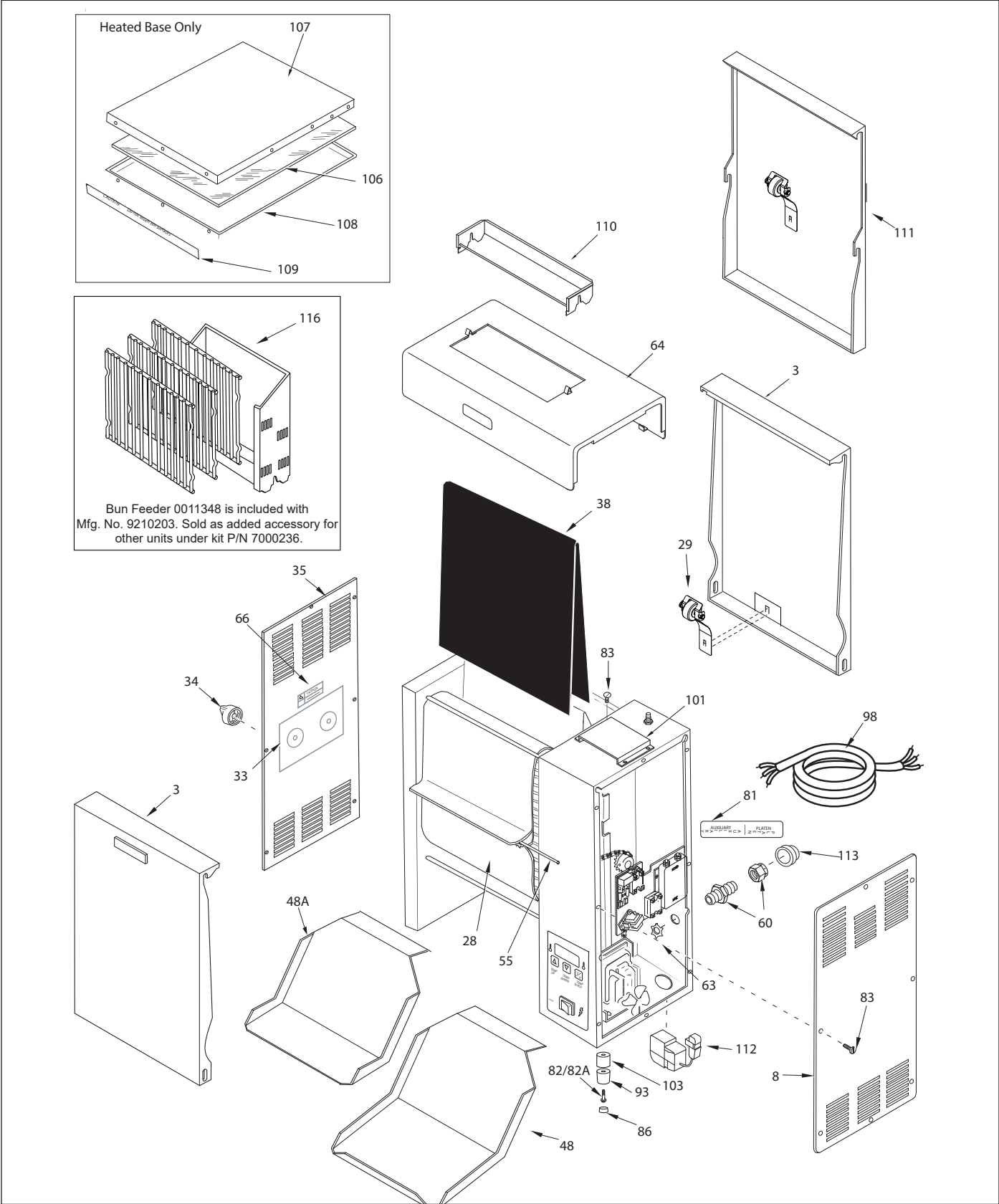
REPLACEMENT PARTS

Parts Identification



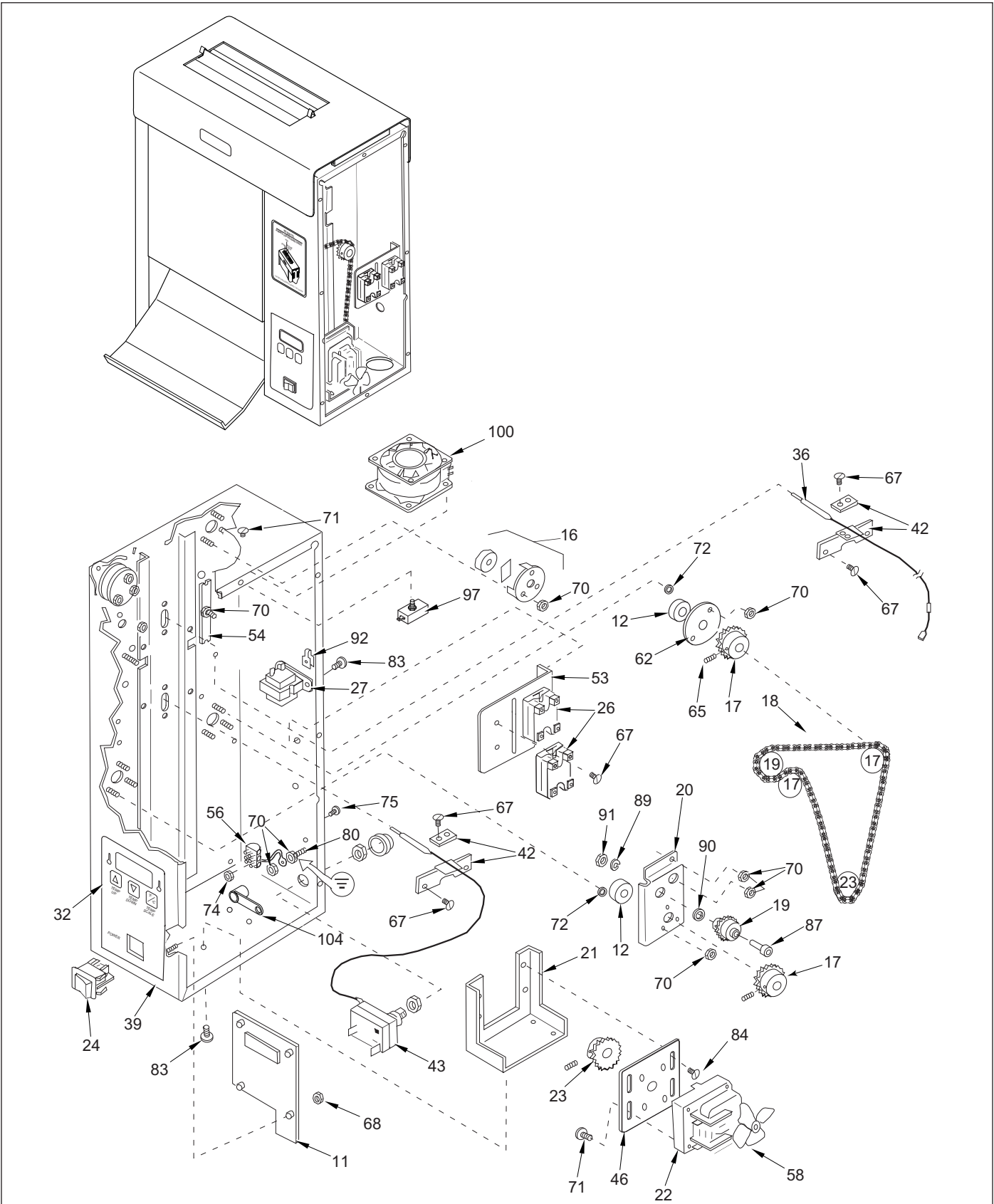
VERTICAL CONTACT TOASTER

REPLACEMENT PARTS (continued)



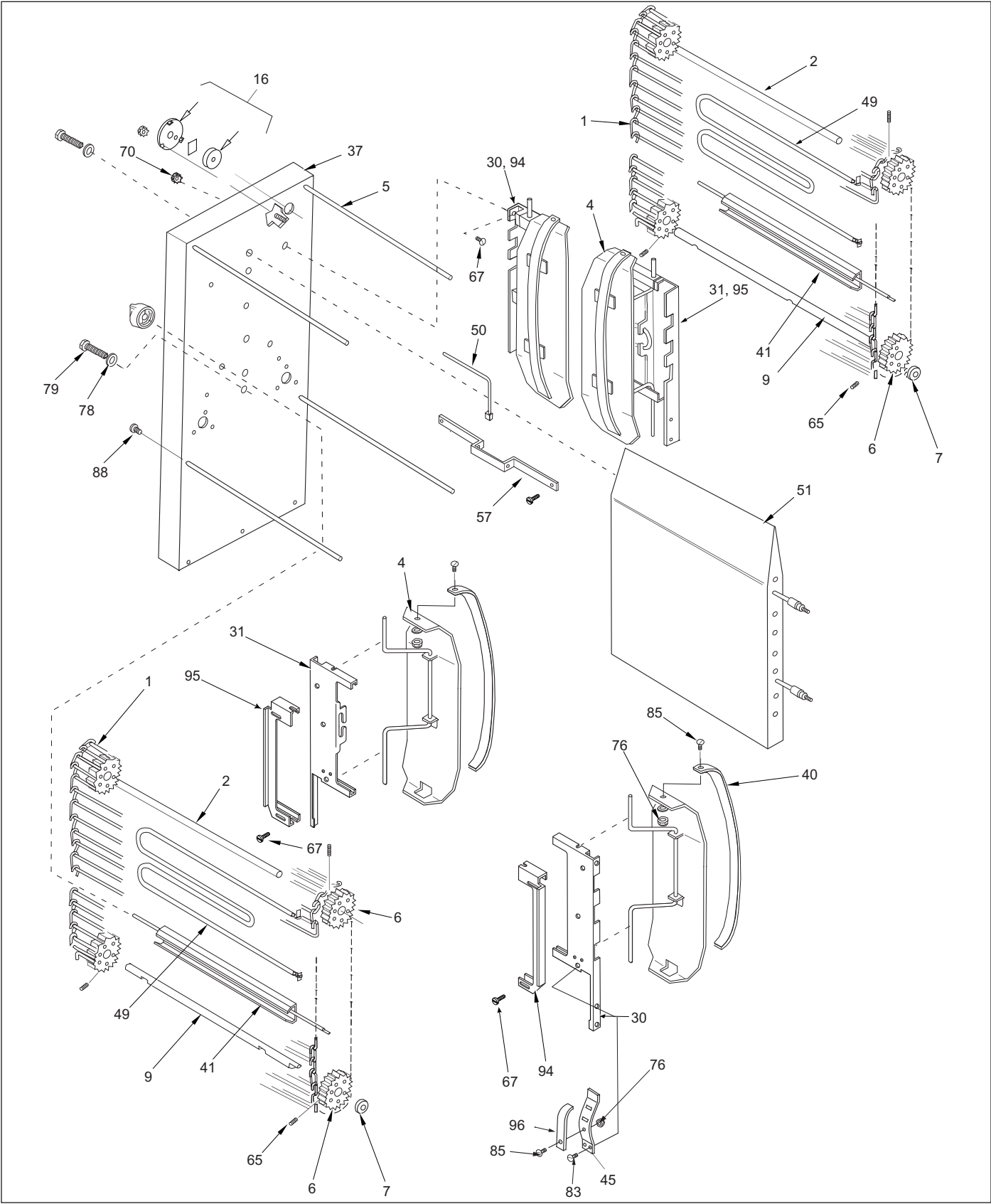
VERTICAL CONTACT TOASTER

REPLACEMENT PARTS (continued)



VERTICAL CONTACT TOASTER

REPLACEMENT PARTS (continued)



VERTICAL CONTACT TOASTER

REPLACEMENT PARTS (continued)

Item	Part No.	Description	Qty.
1	0011266	Conveyor Belt (Incl. Items Below)	2
	0800204	1/2" Pitch Link, Small	2
	0800121	3/4" Pitch Link, Large	38
2	2150117	Idler Shaft	2
3	7000322	Conveyor Cover Assy. (Incl. #29, 52, 61 & 76)	2
4	0010475	Tensioner Assy. (Incl. #40, 76 & 85)	4
5	7000644	Rod, Conveyor Cover	4
6	7000207	Sprocket w/ Setscrew	8
7	7000199	Spacer Kit	1
8	0011444	Control Housing Cover Assy.	1
9	2150118	Drive Shaft	2
11	7000739	Control Board	1
14	7000539	Complete Bearing/Spacer Kit (Incl. #15 & 16)	1
15	7000296	Ball Bearing (Pack of 2)	1
16	7000167	Bearing & Retainer Kit	6
16A	7000224	Bearing & Retainer Kit (Incl. six of # 7000167)	1
17	2150181	Drive Sprocket	2
	2150109	Drive Sprocket (Mfg. No. 9210213 & 9210401 Only)	2
	2150325	Drive Sprocket (Mfg. No. 9210215 Only)	1
18	2150187	Drive Chain	1
19	0011299	Idler Sprocket & Bearing	1
20	0011300	Bracket, Idler Sprocket Assy. (Incl. #19, 87, 89, 90, & 91)	1
21	0503589	Bracket, Motor Mounting	1
22	7000240	Drive Motor Kit, Dual Frequency 50/60 Hz., 208-240 Volt, 9 RPM (Incl. #58)	1
	7000364	Drive Motor Kit (Mfg. No. 9210201 Only)	1
	7000269	Gearmotor Kit (Mfg. No. 9210213 Only)	1
	0011390	Gearmotor Assembly (Mfg. No. 9210215 Only)	1
23	2150211	Sprocket w/Setscrew, 22 Tooth, for 50 Hz	1
	2150132	Sprocket, 14 Tooth (Mfg. No. 9210208 & 217 Only)	1
	2150173	Sprocket 12 Tooth (Mfg. No. 9210203 & 9210952 Only)	1
	2150112	Sprocket, 28 tooth (Mfg. No. 9210201 Only)	1
	2150120	Sprocket, 25B32 5/16 Bore (Mfg. No. 9210213 Only)	1
24	7000882	Rocker Switch, On/Off (250 VAC)	1
26	7000370	Relay, Solid State	2
27	7001145	Transformer	1
28	7000416	Conveyor Belt Wrap (Pack of 2) (Model 9210200 Only)	1
	7001437	Conveyor Belt Wrap (Pack of 2) (Model 9210215 Only)	1

Item	Part No.	Description	Qty.
29	0013373	Roller Tensioner Assy.	2
30	0503496	Tensioner Bracket, Right	2
31	0503497	Tensioner Bracket, Left	2
32	1001006	Label, Control	1
33	1001069	Label, Dial Compression	1
34	2100253	Knob, Control	2
35	0011445	End Housing Cover Assy.	1
36	7000810	Thermocouple Platen Assy.	1
37	0021170	Weldment, End Housing	1
38	7000249	Release Sheet (Pack of 3)	-
	7000250	Release Sheet (Pack of 10)	-
39	0021169	Control Housing	1
40	7000121	Slide Rail Kit (Incl. two slide rails for tensioners and #85)	2
41	0021207	Conveyor Cam	2
42	7000176	Thermocouple Retainer Kit	2
43	4030332	High Limit Control	1
45	0503455	Tension Spring, Inner	4
46	0503590	Bracket, Motor	1
47	0700651	Wire Set (not shown)	1
48	0503385	Bun Chute (Mfg. No. 9210200, 201, 203, 210 & 217)	1
48A	0503677	Bun Chute (Mfg. No. 9210202)	1
49	4030348	Auxiliary Heater, 675W/230V	2
50	7000165	Auxiliary Thermocouple Kit	1
51	7000289	Platen (230V)	1
53	0504067	Bracket, Line Filter	1
54	0503150	Heater Clip	2
55	303P127*	Hinge Pin, Belt Wrap	2
56	4060355	Terminal Block	1
57	0503533	Bracket, Auxiliary Thermocouple	1
58	4000170	Fan Blade, Motor	1
60	0400315	Strain Relief (International)	1
62	0500464	Retainer, Bearing	1
63	040P138*	Locknut, 1/2"	1
64	0011528	Heat Shield Assy.	1
	0011793	Heat Shield Assy. (Mfg. No. 9210213 Only)	1
	0012976	Heat Shield Assembly (Mfg. No. 9210215 & 9210952 Only)	1
65	325P163*	Setscrew, 1/4-28 x 5/16"	8
66	1001192*	Label, Caution Hot	1
67	308P183*	Screw, Hex, #8-32 x 3/8"	2
68	304P105*	Nut, #4-40, "KEPS"	4
69	406P107*	Cable Tie	1
70	308P143*	Nut, #8-32, "KEPS"	6
71	310P103*	Screw, Hex, #10-32 x 1/4"	4
72	310P157*	Washer, #10	6
73	308P101*	Nut, #8-32	3
74	306P101*	Nut, Hex, #6-32	2
75	306P123*	Screw, #6-32 x 7/8"	2
76	308P145*	Nut, Hex Acorn, #8-32	10
77	100P900*	Label, Service	1
78	325P104*	Washer, 1/4"	4
79	325P109*	Screw, 1/4-20 x 1/2"	4

* Sold only as packages of 10.

VERTICAL CONTACT TOASTER

REPLACEMENT PARTS (continued)

Item	Part No.	Description	Qty.
80	308P124*	Screw, 1-Way, #8-32 x 1/2"	1
81	10P1022*	Label, Heaters	1
82	310P180*	Screw, #10-32 x 1-3/4"	4
83	308P133*	Screw, #8-32 x 1/4"	1
84	308P157*	Screw, Tap, #8-32 x 3/8"	20
85	308P181*	Screw, Flat Hd., #8-32 x 3/8"	4
86	218P145*	Cover, Leg, Bumper	4
87	331P103*	Shoulder Bolt, 5/16-18 x 1"	1
88	306P105*	Screw, #6-32 x 1/2"	8
89	331P106*	Lockwasher, 5/16"	1
90	212P118*	Flat Washer, 5/16"	1
91	331P101*	Nut, Hex, 5/16 x 18"	1
92	300P102*	Nut, Tinnerman	2
93	210K230	Bumper, Recess Leg, 1" (Qty. of 4)	1
94	0503495	Retainer, Tensioner Bracket, RH	1
95	0503507	Retainer, Tensioner Bracket, LH	1
96	2100259	Slide Bar	4
97	7001436	Interlock Bypass Kit (Used only on toasters manufactured before 3/1/17. Units manufactured before that date have an interlock safety switch. If the switch fails, install this bypass kit.)	1

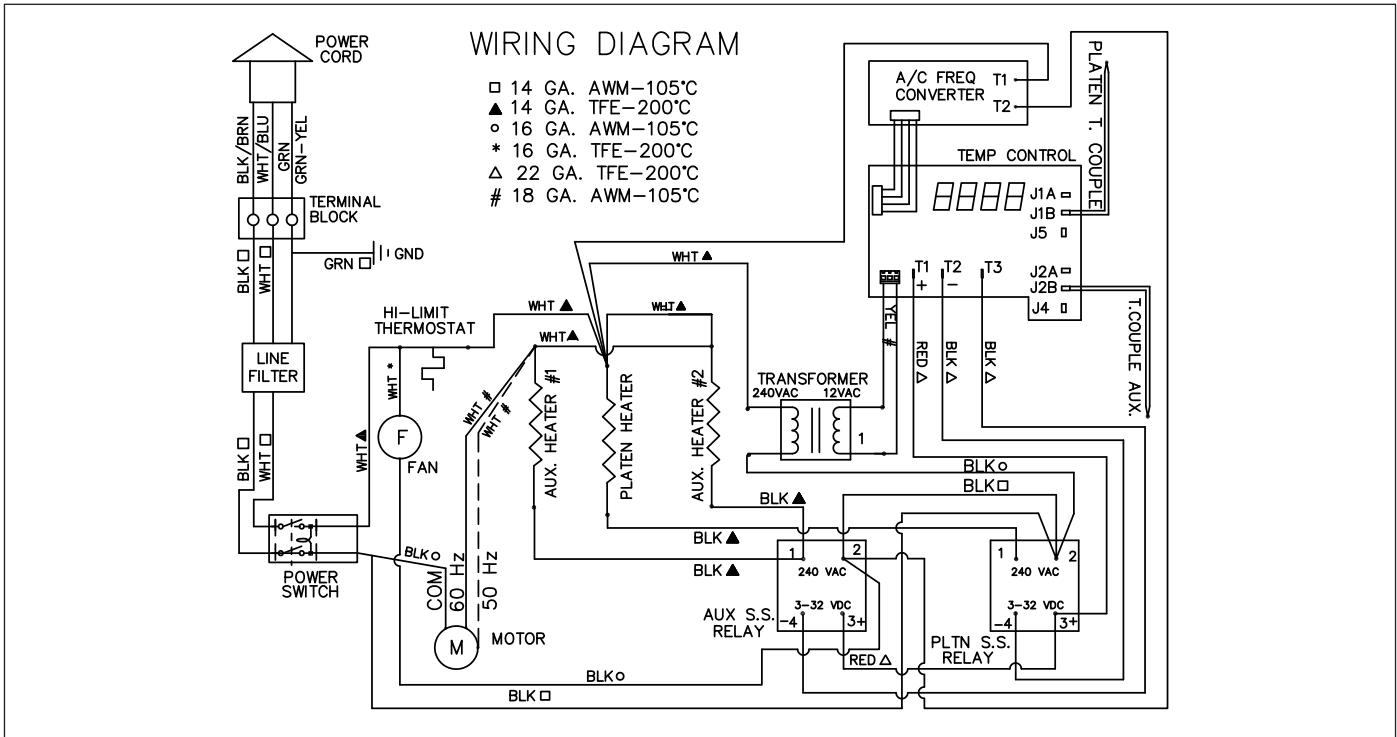
Item	Part No.	Description	Qty.
98	0700453	Power Cord	1
	0700437	Power Cord (Mfg. No. 9210201, 9210202 0& 9210402)	1
99	306P104*	Screw, #6-32 x 1/4"	6
100	7000913	Fan	1
101	0503775	Duct, Fan	1
102	1001056	Label, Crown & Heel	1
103	2120147	Leg Spacers	4
104	4060374	Ground Lug	1
106	4030326	Base Heater 230V, 35W	1
107	0503557	Base, outer	1
108	0503558	Base, inner	1
109	1001023	Label, Caution HOT	1
110	7000292	Bun Feeder Kit	1
111	0011675	Extended Rear Cover (Mfg. No. 9210401 & 9210304)	1
113	2180128	7/8" Hole Plug	1
114	4050229	Line Filter	1
115	7001077	A/C Frequency Board Kit	1
116	7000236	Bun Feeder Kit (sold as accessory)	1
117	2140152	Lubricant (not shown)	1

*** Sold only as packages of 10.**

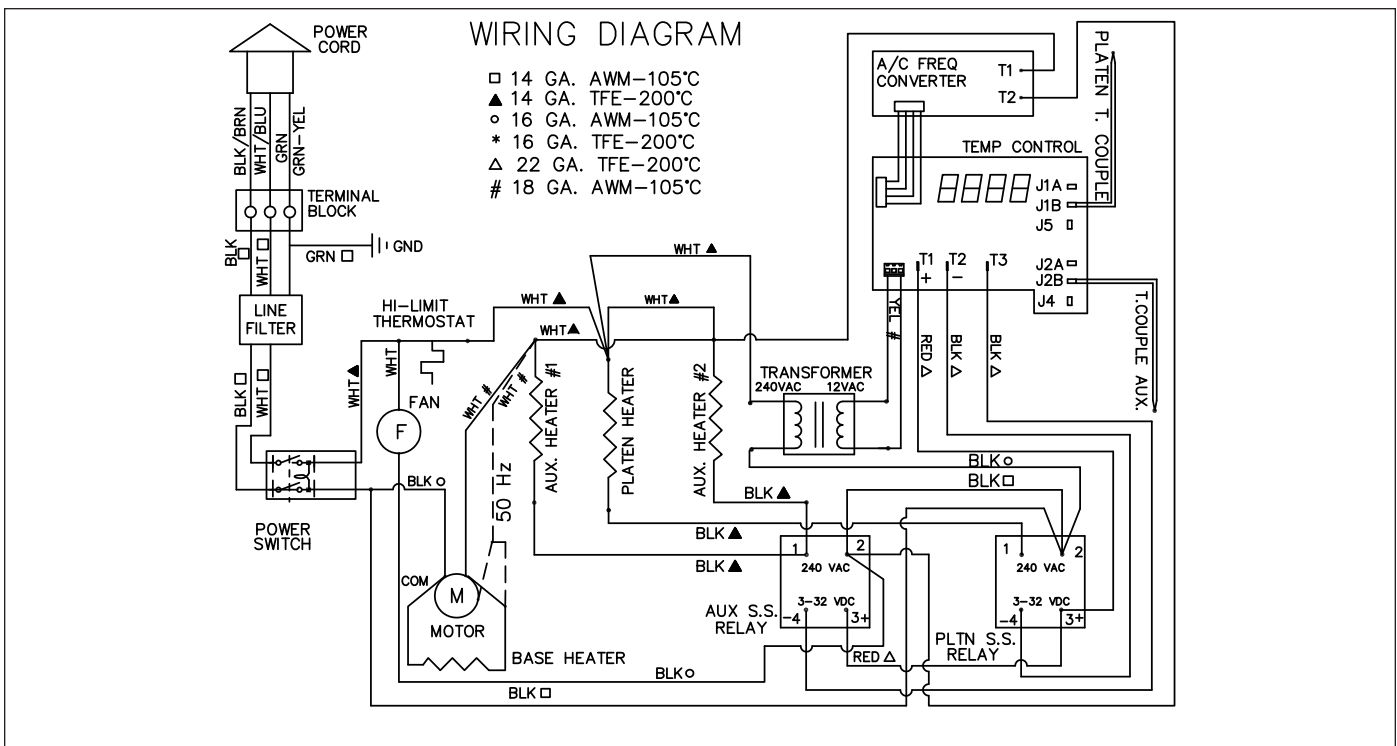
VERTICAL CONTACT TOASTER

WIRING DIAGRAM

Pictorial Wiring Diagram Non-Heated Base Units

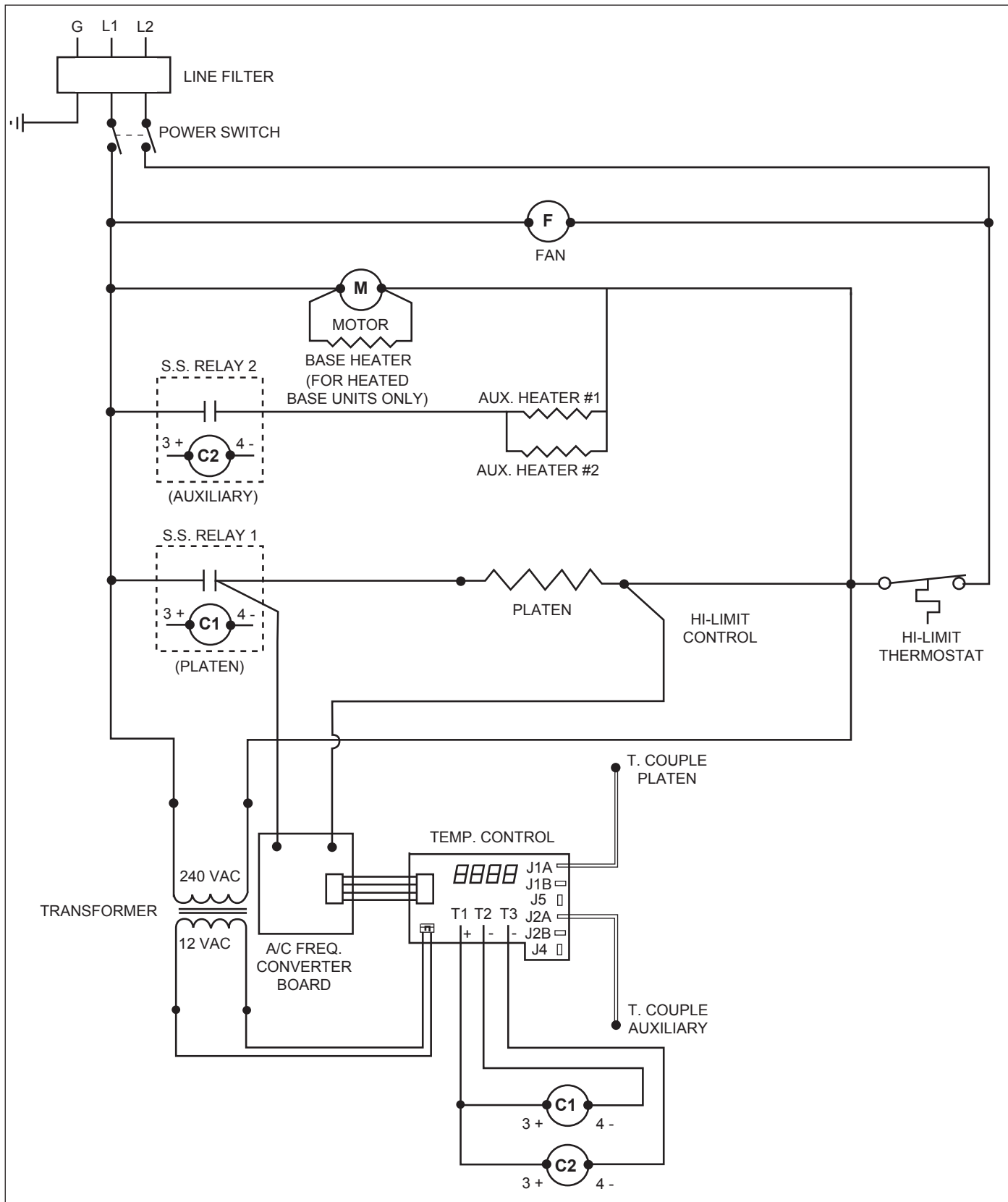


Pictorial Wiring Diagram Heated Base Units



VERTICAL CONTACT TOASTER

WIRING DIAGRAM (continued)



LIMITED WARRANTY

Equipment manufactured by A.J. Antunes & Co. (Antunes) has been constructed of the finest materials available and manufactured to high quality standards. These units are warranted to be free from electrical and mechanical defects for a period of one (1) year from date of purchase under normal use and service, and when installed in accordance with manufacturer's recommendations. To insure continued operation of the units, follow the maintenance procedures outlined in the Owner's Manual. During the first 12 months, electromechanical parts, non-overtime labor, and travel expenses up to 2 hours (100 miles/160 km), round trip from the nearest Authorized Service Center are covered.

1. This warranty does not cover cost of installation, defects caused by improper storage or handling prior to placing of the Equipment. This warranty does not cover overtime charges or work done by unauthorized service agencies or personnel. This warranty does not cover normal maintenance, calibration, or regular adjustments as specified in operating and maintenance instructions of this manual, and/or labor involved in moving adjacent objects to gain access to the equipment. This warranty does not cover consumable/wear items. This warranty does not cover damage to the Load Cell or Load Cell Assembly due to abuse, misuse, dropping of unit/shock loads or exceeding maximum weight capacity (4 lbs). This warranty does not cover water contamination problems such as foreign material in water lines or inside solenoid valves. It does not cover water pressure problems or failures resulting from improper/incorrect voltage supply. This warranty does not cover Travel Time & Mileage in excess of 2 hours (100 miles/160 km) round trip from the nearest authorized service agency.
2. Antunes reserves the right to make changes in design or add any improvements on any product. The right is always reserved to modify equipment because of factors beyond our control and government regulations. Changes to update equipment do not constitute a warranty charge.
3. If shipment is damaged in transit, the purchaser should make a claim directly upon the carrier. Careful inspection should be made of the shipment as soon as it arrives and visible damage should be noted upon the carrier's receipt. Damage should be reported to the carrier. This damage is not covered under this warranty.
4. Warranty charges do not include freight or foreign, excise, municipal or other sales or use taxes. All such freight and taxes are the responsibility of the purchaser.
5. THIS WARRANTY IS EXCLUSIVE AND IS IN LIEU OF ALL OTHER WARRANTIES, EXPRESSED OR IMPLIED, INCLUDING ANY IMPLIED WARRANTY OF MERCHANTABILITY OR FITNESS FOR A PARTICULAR PURPOSE, EACH OF WHICH IS HEREBY EXPRESSLY DISCLAIMED. THE REMEDIES DESCRIBED ABOVE ARE EXCLUSIVE AND IN NO EVENT SHALL ANTUNES BE LIABLE FOR SPECIAL CONSEQUENTIAL OR INCIDENTAL DAMAGES FOR THE BREACH OR DELAY IN PERFORMANCE OF THIS WARRANTY.



Corporate Headquarters	China Facility
Carol Stream, Illinois	Suzhou, China
Phone: +1 (630) 784-1000	Phone: +86-512-6841-3637
Toll Free: +1 (800) 253-2991	Fax: +86-512-6841-3907
Fax: +1 (630) 784-1650	