

H₂Optimo EZ-Tap

Installation and Operation Guide

Table of Contents

Operational Specifications	3
Data Chart/ System Capacities	3
Product Certification Information	4
Installation and Operation Guide	4
Selecting a mounting Location/Dimensions	4-5
Installation	6
Replacement Cartridge Parts	7
Cartridge Change Determination	8
Exploded views/Part list	9
Warranty	10

Operational Specifications

Water Pressure

10 psi–100 psi (0.7 bar – 6.9 bar) non shock

Operating Temperatures

35 °F – 100 °F (2°C – 38 °C)

Additional Specifications

This system is designed to treat cold water only. The installation must be on a cold water supply.

Do not use with water that is microbiologically unsafe or of unknown quality without adequate disinfection before or after the system. Systems certified for cyst reduction may be used on disinfected waters that contain filterable cysts.

This system must be installed in accordance with all applicable state and local laws and regulations.

This system must be installed in an area not affected by extreme heat, cold or the elements. The selected installation area must be adequate for easy service of all parts.

The equipment needs to be installed to operate at the specified maximum flowrate.

Data Chart/ System Capacities

Part Number	Description	Number of Cartridges	Flow Rate		System Capacity		Cyst Reduction ?
			(gpm)	(lpm)	(gallons)	(liters)	
92168	H ₂ Optimo EZ-Tap SC	1	0.50	1.89	1000	3785	Yes
92169	H ₂ Optimo EZ-Tap MC	1	0.50	1.89	3600	13626	Yes
92170	H ₂ Optimo EZ-Tap LC	1	1.67	6.32	11000	41635	Yes
92171	H ₂ Optimo EZ-Tap SCP	1	0.50	1.89	1000	3785	Yes
92172	H ₂ Optimo EZ-Tap MCP	1	0.50	1.89	3600	13626	Yes
92173	H ₂ Optimo EZ-Tap LCP	1	1.67	6.32	11000	41635	Yes
92174	H ₂ Optimo EZ-Tap S5	1	1.00	3.79	3600	13626	No
92175	H ₂ Optimo EZ-Tap M5	1	1.67	6.32	7200	27252	No
92176	H ₂ Optimo EZ-Tap L5	1	1.67	6.32	12000	45420	No
92177	H ₂ Optimo EZ-Tap S5P	1	1.00	3.79	3600	13626	No
92178	H ₂ Optimo EZ-Tap M5P	1	1.67	6.32	7200	27252	No
92179	H ₂ Optimo EZ-Tap L5P	1	1.67	6.32	12000	45420	No
92180	*H ₂ Optimo EZ-Tap SP	1	2.0	7.6	N/A	N/A	No

* H₂Optimo EZ-Tap SP model is not tested and certified by NSF International.

Product Certification Information

SC, MC, LC, SCP, MCP & LCP cartridge with EZ-TAP head: The models with any of these cartridges with EZ-Tap head are tested and certified by NSF International to Standard 42 and 53 for the specific performance claims verified and substantiated by test data. The flowrate needs to be controlled to the flowrates listed above and at www.nsf.org for the filters to remove cyst and chlorine.

S5, M5, L5, S5P, M5P, L5P cartridge with EZ-TAP head: The models with any of these cartridges with EZ-Tap head are tested and certified by NSF International to standard 42 for the specific performance claims verified and substantiated by test data.

* SP Cartridge is not tested and certified by NSF International.

Installation and Operation Guide

The H₂Optimo EZ -Tap Commercial Hospitality Filtration System has been designed for ease of installation and maintenance. Once installed, components designed to be periodically replaced are easily accessible. The H₂Optimo EZ -Tap Commercial Hospitality Filtration System is shipped from the factory partially assembled for ease of installation and to provide the best protection against shipping damage.

You Have Received the Following

1. One pre-assembled header assembly, consisting of the following items.
 - a. One head assembly and bracket.
 - b. One filter cartridge: See table on page 7 for replacement part numbers.

Selecting a Mounting Location

1. Give Consideration to the weight of the unit when operating filled with water. Operating weights of the H₂Optimo EZ- Tap Commercial Hospitality Filtration Systems are shown in the table.

OPERATING WEIGHT (lbs.)

With "S" cartridges	With "M" cartridges	With "L" cartridges
3.83 LBS (1.74 KG)	4.97 LBS. (2.26 KG)	6.64 LBS (3.01 KG)

2. The location should allow for the following:
 - Minimum clearance of 3" under the cartridge for easy cartridge replacement.
 - Adequate space for "in" and "out" water line connections.
 - Close to a drain for flushing of the system and new cartridges.
(See figures 1 for mounting dimensions)

Temperature: 35 °F – 100 °F (2°C – 38 °C)

Pressure:

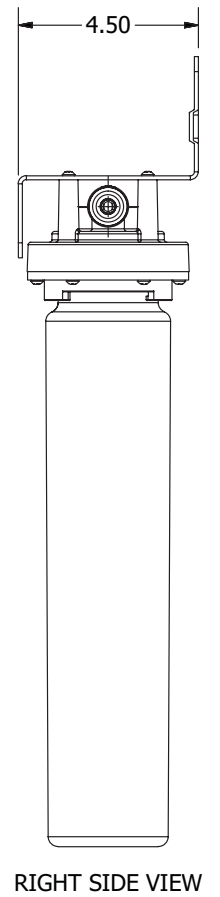
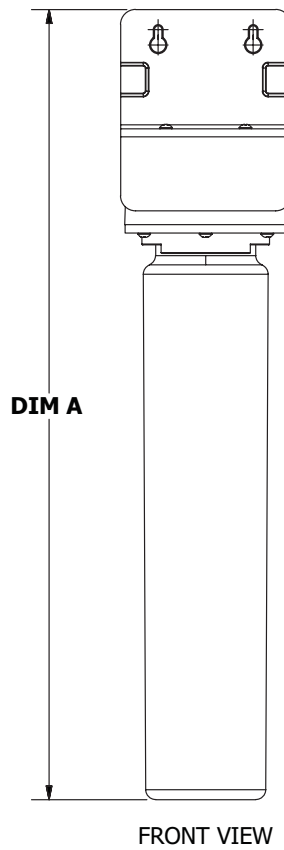
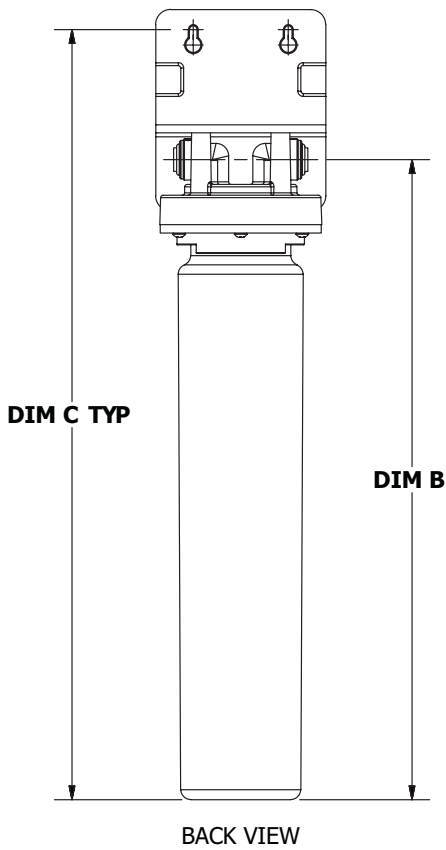
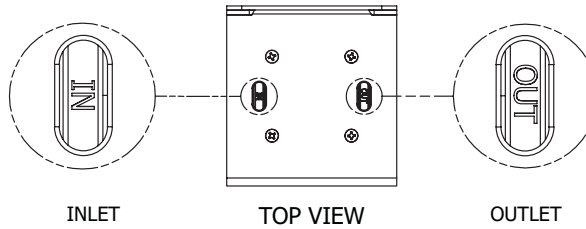
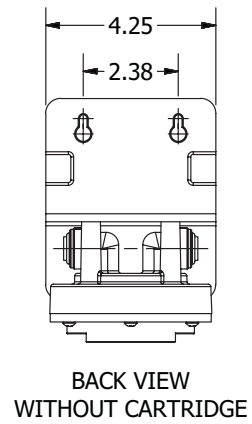
10 psi– 100 psi (0.7 bar – 6.9 bar) non shock

For Cold Water use only

Mounting Dimension

Fig. 1

HEIGHTS			
CARTRIDGE	DIM A	DIM B	DIM C
Size S	15.25 in	11.50 in	14.75 in
Size M	19.75 in	16.00 in	19.25 in
Size L	25.75 in	22.00 in	25.25 in

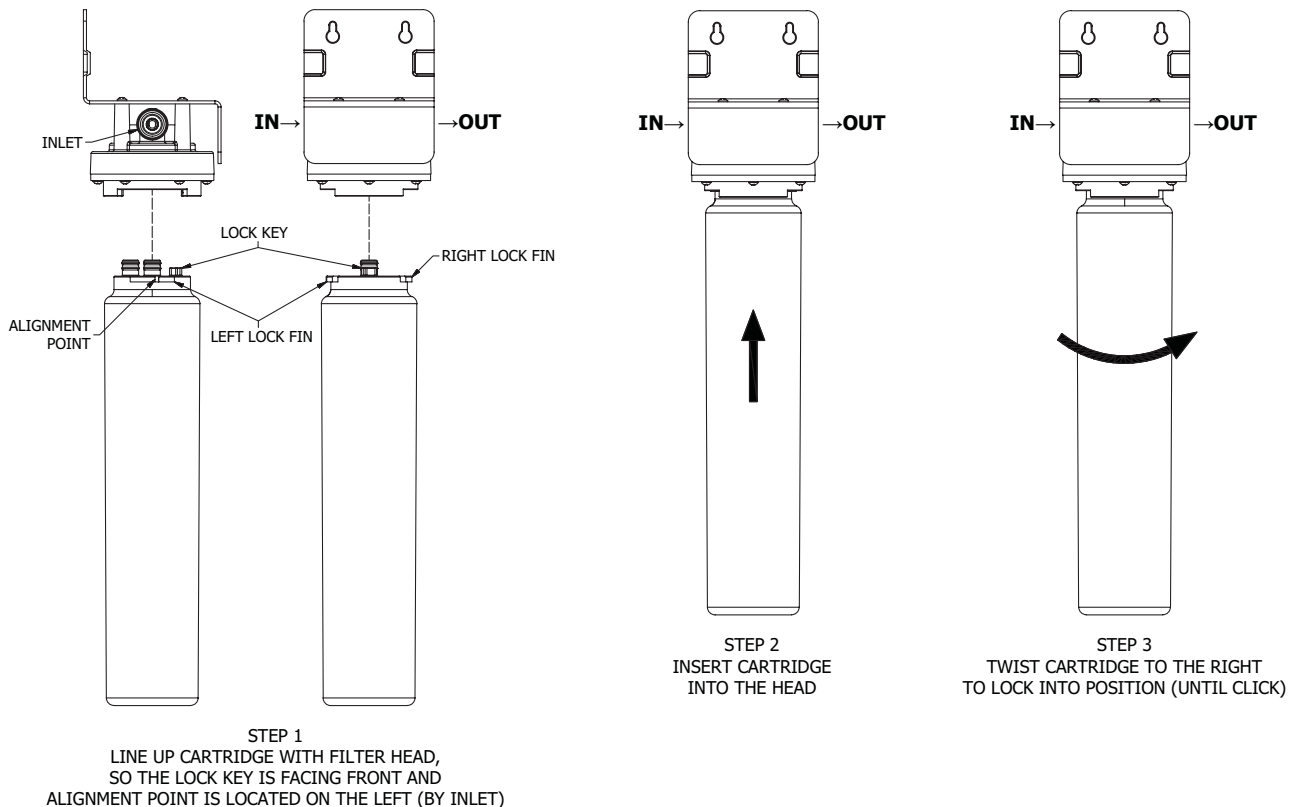


Installation

1. Use the predrilled mounting holes in the manifold bracket as a guide. Mark and drill the anchor holes. Mount securely using proper anchors (see figures 1).
2. Shut off incoming water supply.
3. Shut off power to foodservice equipment, if applicable.
4. Connect inlet and outlet ports of the H₂Optimo EZ-Tap Commercial Hospitality Filtration System using NSF approved 3/8 tubing. (See Push In tubing connection instruction on page 7) Do not connect outlet port to food service equipment until after flushing (Step 8).
5. Install a manual shut-off valve leading to the system for servicing.
6. Install only genuine H₂Optimo EZ -Tap cartridge into the filter head following the directions on the cartridge label (see Fig 2).
7. Connect a piece of 3/8" tubing to the outlet port and run to a drain or bucket.
8. Turn on the inlet water and flush the cartridge by running water through at full force for 10 minutes. This will purge any air and fines from the cartridge.
9. Turn off inlet water. Connect 3/8" tube from outlet to food service equipment.
10. Turn on the inlet water to the filter system to check for leaks.
11. Restore power to the foodservice equipment.
12. The system is now ready for operation.

Important Note: Lubricate o-ring with a good food grade silicon lubricant prior installing to the filter filter head.

Fig. 2

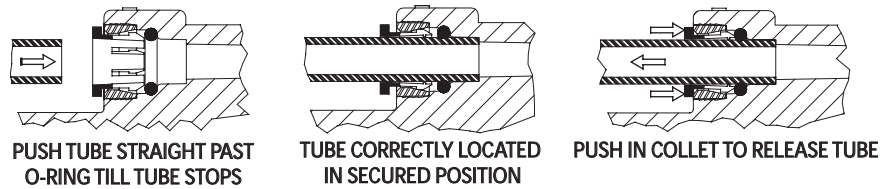


Push-IN Tubing Connection:

For push in tubing connections, follow the instruction below to be sure that the tube is properly installed in the fitting:

- Slightly lubricate the tube with silicon before pushing into the fitting. Push tube straight past o-ring till tube stops (See fig 3).

Fig. 3



Replacement Cartridges

The following replacement parts are available at erie water treatment, a division of Aquion, Inc. See contact information on the back of the manual.

	Single cartridge replacement part number	Case replacement part number	Quantity per case
S5	92093	92038	12
M5	92094	92039	12
L5	92095	92040	6
S5P	92099	92044	12
M5P	92100	92045	12
L5P	92101	92046	6
SC	92105	92050	12
MC	92106	92051	12
LC	92107	92052	6
SCP	92111	92056	12
MCP	92112	92057	12
LCP	92113	92058	6
*SP	92117	92062	12

* SP Cartridge is not tested and certified by NSF International.

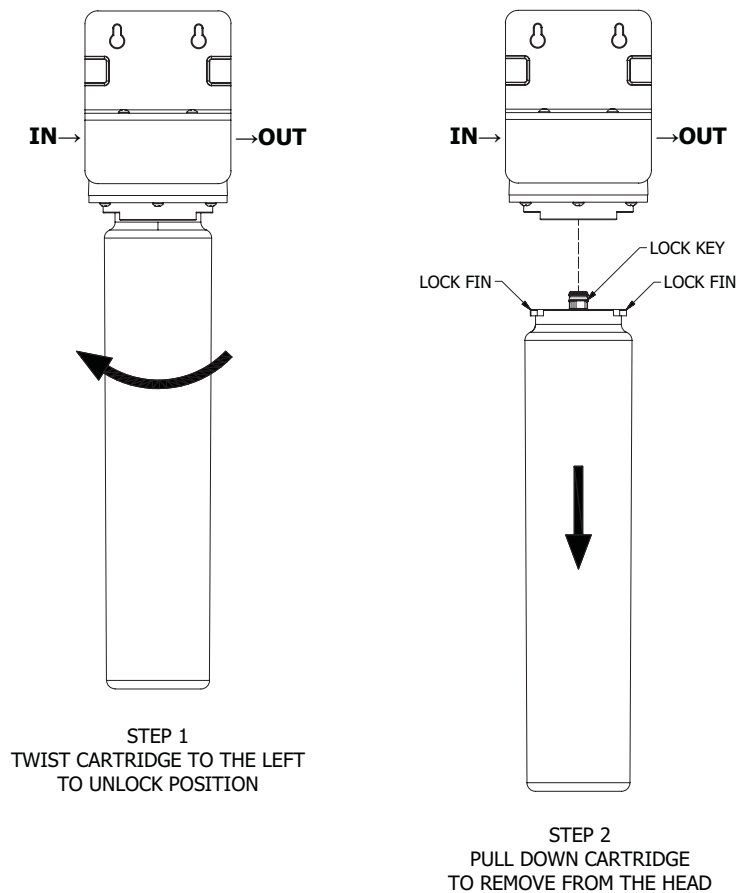
Cartridge Change Determination

Replace the cartridge when the gallon capacity is reached or when the flow becomes inadequate.

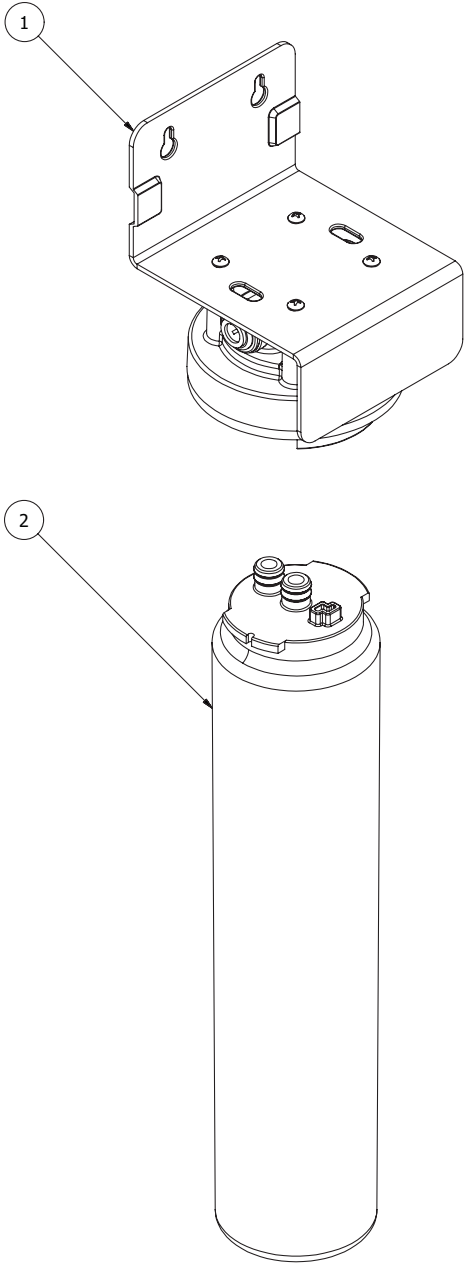
Follow this procedure to change the EZ-Tap cartridge:

1. Shut off power to the foodservice equipment, if applicable.
2. Shut off the incoming water supply.
3. Remove cartridge from head as shown in Figure 4. A small amount of water will spill, so you may want to place a towel under the unit.
4. Install the new cartridge, following the procedure shown in Figure 2.
5. Disconnect the tube on the outlet port.
6. Connect a piece of 3/8" tubing from the outlet port to a drain or bucket.
7. Turn on the inlet water and flush the cartridge by running water through at full force for 10 minutes. This will purge any air and fines from the cartridge.
8. Turn off inlet water. Reconnect tubing between outlet port and food service equipment. NOTE: Tubing may become scratched after repeated insertion. Check the end of the tubing. If damaged, trim about 1" off to get a clean end for proper sealing.
9. Turn on the inlet water and check for leaks.
10. Restore power to the foodservice equipment.

Fig. 4



Exploded View



PARTS LIST			
ITEM	QTY	PART	DESCRIPTION
1	1	92005	EZ-TAP HEAD ASSEMBLY
2	1		FILTER CARTRIDGE (SEE REPLACEMENT TABLE)

Limited Warranty

Erie Water Treatment, Division of Aquion, Inc, believing its

H₂OPTIMO EZ-TAP SYSTEM

To be of exceptional quality, hereby warrants said equipment to its first purchaser at retail as follows:

The EZ-TAP HEAD IS WARRANTED AGAINST DEFECTS IN MANUFACTURE FOR A PERIOD OF FIVE (5) YEARS.

THE FILTER CARTRIDGE IS WARRANTED AGAINST DEFECTS IN MANUFACTURE FOR A PERIOD OF ONE (1) YEAR.THE FILTER CARTRIDGE SERVICE LIFE IS DEPENDENT ON SPECIFIC WATER CONDITIONS AND USAGES. REFER TO THE INSTALLATION AND OPERATION GUIDE FOR RECOMMENDED REPLACEMENT FREQUENCY.

This warranty does not require replacement of the entire unit. If the equipment does not perform properly, you should request service from the dealer that sold you the equipment. If you are not satisfied, you should notify our Customer Service Manager. (800) 811-3489. If we are not able to arrange local servicing, you should send the defective part(s) (or, if you prefer, send the entire unit,) directly to the manufacturer, freight prepaid, with proof of purchase and a copy of this warranty. The defective part(s) (or entire unit) will either be repaired or new Erie Water Treatment part(s) furnished, for a nominal charge to cover labor, handling, packing and the increase, if any, in the retail price of the part(s) since the date of purchase. Genuine Erie Water Treatment parts must be used. Failure to use genuine Erie Water Treatment parts will void the warranty.

This warranty does not include labor charges, and does not cover installation, transportation, or any other claims or torts. Some states do not allow the exclusion or limitation of incidental or consequential damages, so parts of the above limitation or exclusion may not apply to you.

This warranty gives you specific legal rights, and you may also have other rights which vary from state to state. You also have implied warranty rights. In the event of a problem with warranty service or performance, you may be able to go to a small claims court, a State court, or a Federal District Court.

This warranty is void if equipment is not installed and operated according to instructions. It does not apply to damage caused by abuse, accident, neglect, freezing, fire, or other abnormal conditions beyond the company's control. This warranty is void on any part from which the manufacturing date has been removed or made illegible.

Benefits will be provided by various types of Erie Water Treatment equipment when installed and operated according to the manufacturer's recommendations. Operational, maintenance and replacement requirements are essential for the product to perform as advertised. All claims are based on the best available information at the time of printing. Manufacturer makes no representations as to the suitability of this equipment for a particular application. Buyer relies entirely on the dealer's recommendations in the purchase of this equipment.

Independent Erie Water Treatment dealers/service providers may include, together with your Erie Water Treatment product, a product or component that is not manufactured by Erie Water Treatment or its parent company, Aquion Inc. Any non-Erie Water Treatment product may be covered by the manufacturer of that product, and is not covered by the Erie Water Treatment warranty. Aquion, Inc does not warrant that your Erie Water Treatment product and the non-Erie Water Treatment product will perform properly when used together, and assumes no liability therefore.

Erie Water Treatment, Division of Aquion Inc
2080 East Lunt Avenue
Elk Grove Village, Illinois 60007 USA

Erie H₂Optimo EZ- TAP Models

- OPERATING TEMPERATURE: 35 - 100°F (2 - 38° C)
- OPERATING PSI OF SUPPLY: 10 - 100 psi (0.7 bar-6.9 bar)

Part Number	Description	Number of Cartridges	Flow Rate		System Capacity		NSF/ANSI 53 Cyst Reduction ?	NSF/ANSI 42 Aesthetic Chlorine Reduction ?
			(gpm)	(lpm)	(gallons)	(liters)		
92168	H ₂ Optimo EZ-Tap SC	1	0.50	1.89	1000	3785	Yes	Yes
92169	H ₂ Optimo EZ-Tap MC	1	0.50	1.89	3600	13626	Yes	Yes
92170	H ₂ Optimo EZ-Tap LC	1	1.67	6.32	11000	41635	Yes	Yes
92171	H ₂ Optimo EZ-Tap SCP	1	0.50	1.89	1000	3785	Yes	Yes
92172	H ₂ Optimo EZ-Tap MCP	1	0.50	1.89	3600	13626	Yes	Yes
92173	H ₂ Optimo EZ-Tap LCP	1	1.67	6.32	11000	41635	Yes	Yes
92174	H ₂ Optimo EZ-Tap S5	1	1.00	3.79	3600	13626	No	Yes
92175	H ₂ Optimo EZ-Tap M5	1	1.67	6.32	7200	27252	No	Yes
92176	H ₂ Optimo EZ-Tap L5	1	1.67	6.32	12000	45420	No	Yes
92177	H ₂ Optimo EZ-Tap S5P	1	1.00	3.79	3600	13626	No	Yes
92178	H ₂ Optimo EZ-Tap M5P	1	1.67	6.32	7200	27252	No	Yes
92179	H ₂ Optimo EZ-Tap L5P	1	1.67	6.32	12000	45420	No	Yes

AESTHETIC CHLORINE REDUCTION

SC, MC, LC, SCP, MCP, LCP, S5, M5, L5, S5P, M5P & L5P CARTRIDGES WITH EZ-TAP HEAD: THE EZ-TAP HEAD WITH ANY OF THESE CARTRIDGES HAVE BEEN TESTED ACCORDING TO NSF/ANSI 42 FOR REDUCTION OF THE AESTHETIC CHLORINE. THE CONCENTRATION OF THE INDICATED SUBSTANCE IN WATER ENTERING THE SYSTEM WAS REDUCED TO A CONCENTRATION LESS THAN OR EQUAL TO THE PERMISSIBLE LIMIT FOR WATER LEAVING THE SYSTEM, AS SPECIFIED IN NSF/ANSI 42.

CHALLENGE	INFLUENT CHALLENGE CONCENTRATION	REDUCTION REQUIREMENT	ACTUAL REDUCTION
AESTHETIC CHLORINE	2.0 mg/L ± 10%	≥ 50%	92%

Erie H₂Optimo EZ TAP Models

CYST REDUCTION

SC, MC, LC, SCP, MCP, LCP CARTRIDGES WITH EZ -TAP HEAD: THE EZ-TAP HEAD WITH ANY OF THESE CARTRIDGES HAVE BEEN TESTED ACCORDING TO NSF/ANSI 53 FOR REDUCTION OF CYST. THE CONCENTRATION OF THE INDICATED SUBSTANCE IN WATER ENTERING THE SYSTEM WAS REDUCED TO A CONCENTRATION LESS THAN OR EQUAL TO THE PERMISSIBLE LIMIT FOR WATER LEAVING THE SYSTEM, AS SPECIFIED IN NSF/ANSI 53.

CONTAMINANT	INFLUENT CHALLENGE CONCENTRATION	REDUCTION REQUIREMENT	ACTUAL REDUCTION
CYSTS (Cryptosporidium, Giardia lamblia, Parasitic Protozoa)	50,000/L	99.95% Reduction	>99.95%

REPLACEMENT COMPONENT AND PART NUMBERS

Replacement cartridges	Single cartridge replacement part number	Case replacement part number
S5	92093	92038
M5	92094	92039
L5	92095	92040
S5P	92099	92044
M5P	92100	92045
L5P	92101	92046
SC	92105	92050
MC	92106	92051
LC	92107	92052
SCP	92111	92056
MCP	92112	92057
LCP	92113	92058

THE UNIT SHOULD BE INSTALLED IN AN AREA NOT AFFECTED BY EXTREME HEAT, COLD OR THE ELEMENTS. THIS SYSTEM MUST BE INSTALLED IN ACCORDANCE WITH ALL APPLICABLE STATE AND LOCAL LAWS AND REGULATIONS.

DO NOT USE WITH WATER THAT IS MICROBIOLOGICALLY UNSAFE OR OF UNKNOWN QUALITY WITHOUT ADEQUATE DISINFECTION BEFORE OR AFTER THE SYSTEM.

SYSTEMS CERTIFIED FOR CYST REDUCTION MAY BE USED ON DISINFECTED WATERS THAT MAY CONTAIN FILTERABLE CYSTS.

THE PRODUCT WATER SHOULD BE TESTED PERIODICALLY TO ENSURE THAT THE SYSTEM IS PERFORMING PROPERLY.

SEE THE OWNERS MANUAL FOR GENERAL OPERATION AND MAINTENANCE REQUIREMENTS.

SEE WARRANTY INFORMATION FOR SPECIFIC WARRANTY ON THE PRODUCT.

IMPORTANT NOTICE:

READ THIS PERFORMANCE DATA SHEET AND COMPARE THE CAPABILITIES OF THIS UNIT WITH YOUR ACTUAL WATER TREATMENT NEEDS. IT IS RECOMMENDED THAT BEFORE PURCHASING A WATER TREATMENT UNIT YOU HAVE YOUR WATER SUPPLY TESTED TO DETERMINE YOUR ACTUAL WATER.

ADDITIONAL NOTES:

- This system is designed for treatment of cold water only.
- While testing was performed under standard laboratory conditions, actual performance may vary due to local water conditions.

Notes

Notes

Notes



erie water treatment
a division of **Aquion, Inc.**

Contact Information

For USA
2080 E. Lunt Avenue
Elk Grove Village, IL 60007
1-847-871-4750
infousa@eriewatertreatment.com

For Belgium
Lammerdries-Oost 30c
B-2250 Olen-Belgium
32 (0)14 28 5171
infobelgium@eriewatertreatment.com

www.erie-h2optimo.com