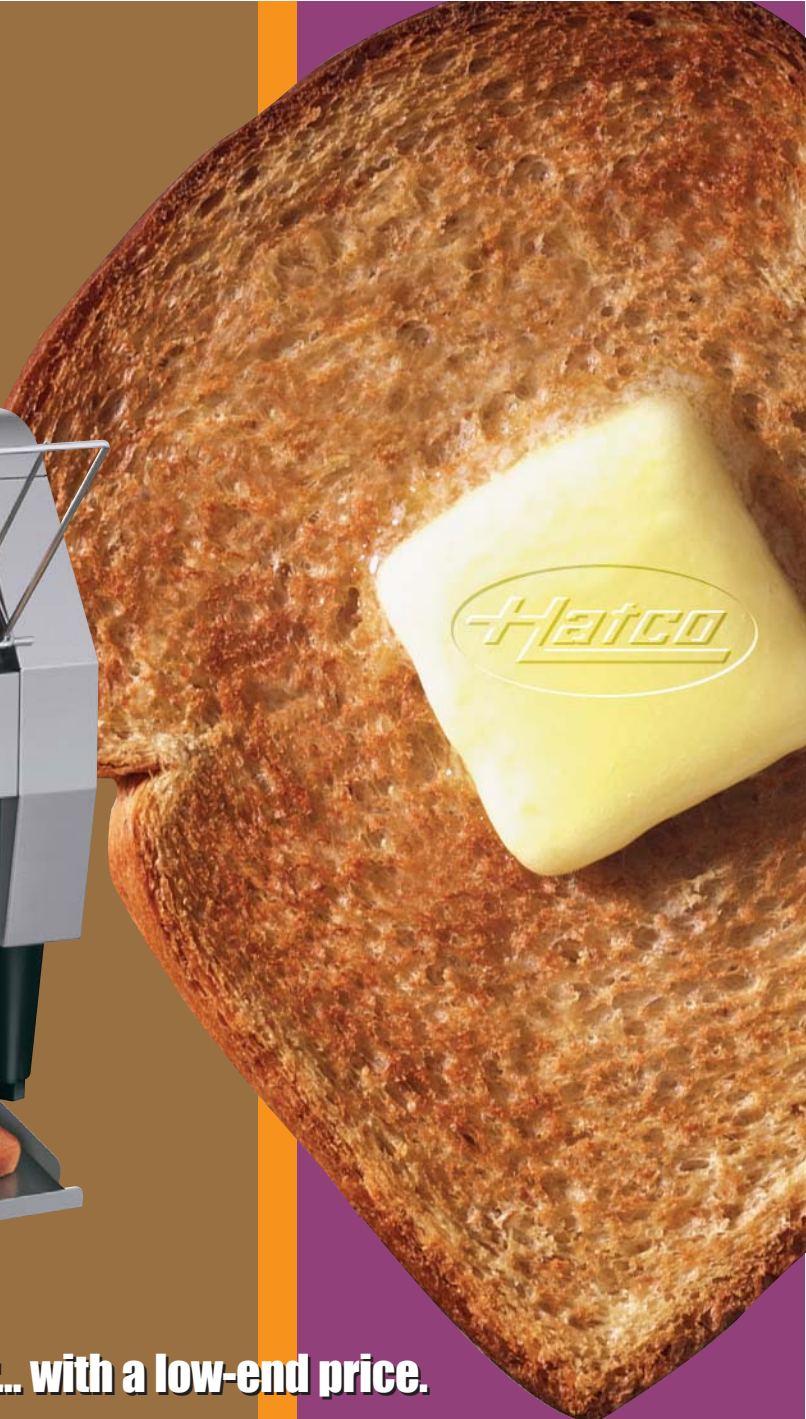


TOASTMAX

CONVEYOR TOASTER



Model TM-10H



All the features of a high-end toaster... with a low-end price.

The Hatco Toast-Max economy conveyor toaster offers the flexibility and performance to perfectly toast bread and buns fast – up to 300 slices per hour! Utilizing conveyor speed, not temperature, to determine toasting color, allows for instant adjustment of toasting time.

- 4-position toast selector switch: off / toast / buns / stand-by mode
- 89 mm (3½") clearance to accommodate high profile bread products
- Easy-to-load rack with front or rear discharging
- Permanently lubricated 50/60 Hz motor
- V-shaped reflectors help capture and redirect heat

- Long lasting serpentine metal sheathed heating elements
- 102 mm (4") adjustable legs
- Pilot light that signals unit is in operation
- Discharge and crumb trays are removable for easy cleaning



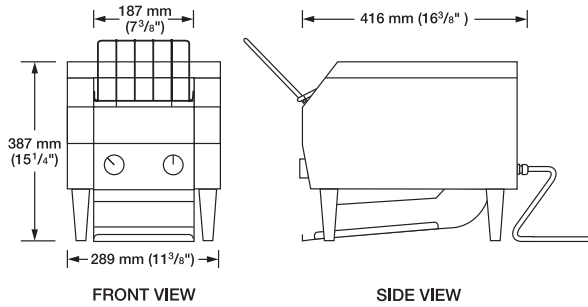
Nothing less than the best.™



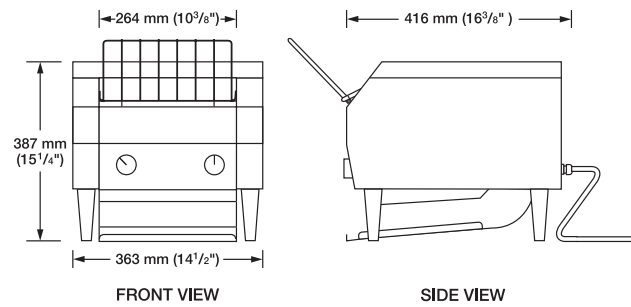


TOAST-MAX™ CONVEYOR TOASTERS

Models TM-5H, -10H



TM-5H Model



TM-10H Model

SPECIFICATIONS

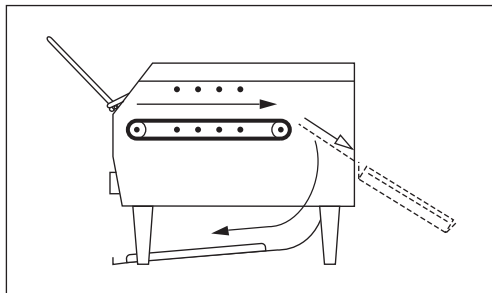
Model	kW	Type	Cap./Min.†	Shipping Weight
TM-5H	1.3	Bread & Buns	3 slices	16 kg (36 lbs.)
TM-10H	1.9	Bread & Buns	6 slices	19 kg (41 lbs.)

† Toasting capacity may vary by product. Toasting of coated products is not recommended.

SELECTOR CHART

(Based on serving 2 slices per customer.)

Number of Customers	Serving Time TM-5H	Serving Time TM-10H
30	24 minutes	12 minutes
60	48 minutes	24 minutes
90	72 minutes	36 minutes
120	96 minutes	48 minutes



Product Flow

PRODUCT SPECS

Conveyor Toaster

The electric Conveyor Toaster shall be a Hatco Modelas manufactured by the Hatco Corporation, Milwaukee, WI 53234 U.S.A.

The toaster shall have the capacity to toast up to pieces per minute and it shall be rated atkW,volts, single phase.

DIMENSIONS

TM-5H: 289 W x 416 D x 387 H mm

(11 3/8" W x 16 3/8" D x 15 1/4" H).

TM-10H: 368 W x 416 D x 387 H mm

(14 1/2" W x 16 3/8" D x 15 1/4" H).

Interior Cavity Openings:

TM-5H: 187 W x 89 mm H (7 3/8" W X 3 1/2" H).

TM-10H: 264 W x 89 mm H (10 3/8" W X 3 1/2" H).

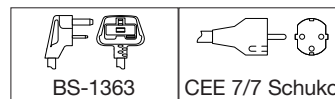
Maximum Product Size:

245 W x 64 mm H (9 5/8" W x 2 1/2" H).

CORD LOCATION

Left side of back of unit near center.

PLUG CONFIGURATIONS



ELECTRIC RATING

Model	Volts	Watts	Amps	Hz
TM-5H	220-240	1340-1595	6.1-6.6	50-60
TM-10H	220-240	1940-2300	8.8-9.6	50-60

The toaster shall be made of stainless steel design and shall include a front mounted control panel with variable speed control, 4-position toast selector switch and a toast collector pan.

The toaster will have metal sheathed heating elements.