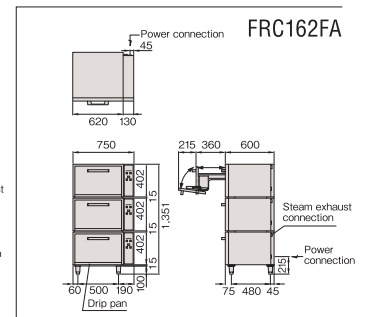
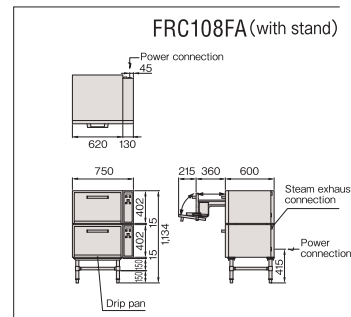
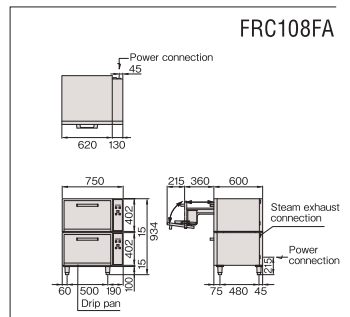
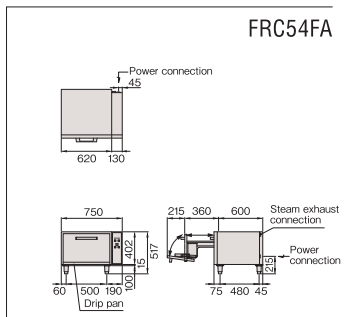


Electric automatic rice cooker

Standard type

FRC-FA Series



Model	FRC54FA	FRC108FA	FRC108FA (with stand)	FRC162FA
Outer dimensions	750 (W) × 600 (D) × 517 (H) mm	750 (W) × 600 (D) × 934 (H) mm	750 (W) × 600 (D) × 1,134 (H) mm	750 (W) × 600 (D) × 1,351 (H) mm
Power	3P 200V	3P 200V	3P 200V	3P 200V
Product mass	60kg	120kg	122kg	180kg
Total electricity consumption	5.40kW	10.8kW	10.8kW	16.2kW
Normal maximum line current	15.6A	31.2A	31.2A	46.8A
Accessories (rice cooking pot)	φ 490 × 190 (H) mm × 1	φ 490 × 190 (H) mm × 2	φ 490 × 190 (H) mm × 2	φ 490 × 190 (H) mm × 3

Local voltage is available.

Control method: Thermistor ※When cooking continuously, you will need to wait 20 - 40 minutes in between opening the door.