

**Dear Customer,**

*Thank you for choosing this special edition Smeg – Dolce&Gabbana, Sicily is my love  
small domestic appliance.*

*Smeg and Dolce&Gabbana have combined their artistic talents to create a unique  
collection, made in Italy by Smeg with unmistakable Dolce&Gabbana design touches.*

*We hope you enjoy using your new appliance!*

*Kindest regards,*

*SMEG S.p.A.*

# Contents

|                                   |           |
|-----------------------------------|-----------|
| <b>1 Instructions</b>             | <b>6</b>  |
| 1.1 Introduction                  | 6         |
| 1.2 This user manual              | 6         |
| 1.3 Intended use                  | 6         |
| 1.4 General safety instructions   | 7         |
| 1.5 Manufacturer liability        | 9         |
| 1.6 Identification plate          | 9         |
| 1.7 Disposal                      | 9         |
| <b>2 Description</b>              | <b>10</b> |
| 2.1 Product description           | 10        |
| 2.2 Description of parts          | 11        |
| <b>3 Use</b>                      | <b>13</b> |
| 3.1 Before first use              | 13        |
| 3.2 Operation                     | 14        |
| <b>4 Cleaning and maintenance</b> | <b>16</b> |
| 4.1 Instructions                  | 16        |
| 4.2 Cleaning the surfaces         | 16        |
| 4.3 Ordinary daily cleaning       | 16        |
| 4.4 Cleaning the filter           | 17        |
| 4.5 Descaling                     | 18        |
| 4.6 What to do if...              | 19        |

We advise you to read this manual carefully, as it contains all the instructions for maintaining the appliance's aesthetic and functional qualities.

For further information on the product: [www.smeg.com](http://www.smeg.com)

The manufacturer reserves the right to make any changes deemed useful for improvement of its products without prior notice. The illustrations and descriptions contained in this manual are therefore not binding and are merely indicative.



## 1 Instructions

### 1.1 Introduction

Key information for the user:

#### Instructions



General information on this user manual, on safety and final disposal.

#### Description



Appliance description.

#### Use



Information on using your appliance

#### Cleaning and maintenance



Information for proper cleaning and maintenance of the appliance.



Safety instructions



Information



Advice

### 1.2 This user manual

This user manual is an integral part of the appliance and must therefore be kept in its entirety and within the user's reach for the whole working life of the appliance.

### 1.3 Intended use

- Use the appliance only indoors.
- The appliance has been designed specifically for domestic use. It must only be used to heat water. Do not use the appliance for anything other than its intended use.
- The appliance is not designed to operate with external timers or with remote-control systems.
- This appliance may not be used by people of reduced physical, sensory or mental capacity, or without sufficient experience and knowledge (including children), unless they are supervised or instructed by adults who are responsible for their safety.
- Children must never play with the appliance. Keep the appliance out of children's reach.



## 1.4 General safety instructions

Follow all safety instructions in order to use the appliance safely.

- Read this user manual carefully before using the appliance.
- Do not immerse the appliance, the power cord, the plug or the base in water or any other liquid.
- Never wash the appliance in the dishwasher.
- Do not use the appliance when the power cord or the plug is damaged or when the appliance has been dropped or is damaged in any manner.
- Do not position the power cord on sharp edges or leave it trailing.
- Protect the power cord from heat and oil.
- Do not position the appliance above hot surfaces, hob burners, or inside a hot oven.
- Do not position the appliance on surfaces sensitive to water. Drips could damage it.
- Do not unplug the appliance with wet hands, or by pulling on the power cord.
- In the event of a fault with the appliance, repairs must be performed only by qualified technicians or an authorised technical support service.
- Never try to put out a fire or flames with water: turn off the appliance and remove the plug from the socket, and smother the flames with a fire blanket or other appropriate cover.
- Do not modify this appliance.
- Do not try to repair the appliance yourself or without the assistance of a qualified technician.
- If the power supply cable is damaged, contact technical support immediately.



## Instructions

### For this appliance

- The kettle can get very hot during operation. Do not touch the hot surfaces. Use the handle.
- The heating element surface is subject to residual heat after use. Be careful.
- Do not use the kettle if the handle is loose.
- Do not operate the kettle on an inclined plane.
- Do not operate the kettle unless the element is fully immersed.
- Do not move while the kettle is switched on.
- Unplug the kettle when it is not being used, before cleaning and if you notice any fault. Let the appliance cool down before cleaning.
- Always use the kettle with the scale filter fitted.
- Do not overfill the kettle (max. 1.7 litres), otherwise boiling water may spray out.
- Only use the kettle to boil water. Never fill the kettle with other liquids.
- Do not open the kettle's lid while it is on.
- Check that the lid is correctly closed before turning on the kettle.
- Only use the kettle with the base provided.
- Do not use the kettle on bases from other manufacturers.
- Only use original spare parts. The use of spare parts not approved by the manufacturer could lead to fires, electric shocks or personal injury.
- Only place the base on level surfaces.
- Do not use metal implements or scouring pads to clean the inside of the kettle. Only use products specifically designed for the purpose.
- To prevent damage to the appliance do not use alkaline cleaning agents when cleaning, use a soft cloth and a mild detergent.
- Empty the kettle before you use it each time: if residual water is left inside, this could lead to scale building up.
- This appliance can be used by children aged from 8 years and above if they have been given supervision or instruction concerning use of the appliance in a safe way and if they understand the hazards involved.
- Cleaning and maintenance must never be performed by children unless they are older than 8 and supervised.
- Keep the kettle and its power cord out of the reach of children aged less than 8 years.
- Do not allow children to play with the appliance.
- This appliance is intended for use in a home environment. Every other use is considered improper. It also can be used in:
  - Staff kitchen areas in shops, offices and other working environments
  - Farm houses
  - By guests in hotels, motels and other residential type environments
  - Bed and breakfast type environments.



## 1.5 Manufacturer liability

The manufacturer shall not be liable for damage to persons or property caused by:

- Use of the appliance other than as envisaged
- Not having read the user manual
- Tampering with any part of the appliance
- Use of non-original spare parts
- Failure to observe the safety instructions

## 1.6 Identification plate

The identification plate bears the technical data, serial number and brand name of the appliance. Do not remove the identification plate for any reason.

## 1.7 Disposal



This appliance must be disposed of separately from other waste (Directive 2012/19/EU). The appliance does not contain substances in quantities sufficient to be considered hazardous to health and the environment, in accordance with current European directives.

- **Old appliances do not belong in household waste!** To comply with current legislation, old appliances, on reaching the end of their useful lives, should be taken to a disposal facility where they can be sorted. In this way, any valuable material contained in the old appliances can be recycled, helping to protect the environment. The relevant local authorities or their waste disposal operators can provide further information.

Our appliances are packed in non-polluting and recyclable materials.

- Take these packing materials to the appropriate recycling centre.



### Plastic packaging Danger of suffocation

- Do not leave the packaging or any part of it unattended.
- Do not let children play with the plastic bags.



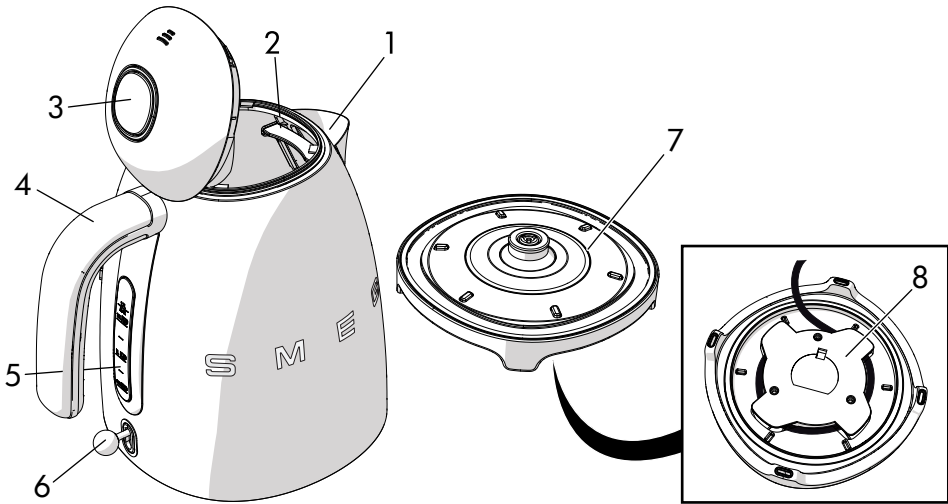
### Electrical voltage Danger of electrocution

- Disconnect the main power supply.
- Disconnect the power cable from the electrical system.
- Avoid spillage on the connector and power base.



## 2 Description

### 2.1 Product description



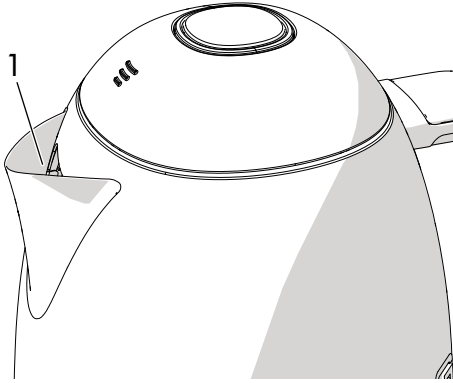
**Model KLF03 - Kettle**

- 1 Anti-drip spout
- 2 Scale filter
- 3 Lid with push-push opening
- 4 Handle
- 5 Water level indicator
- 6 ON/OFF lever with indicator light
- 7 Cordless base with 360° operation
- 8 Cable compartment (under base)



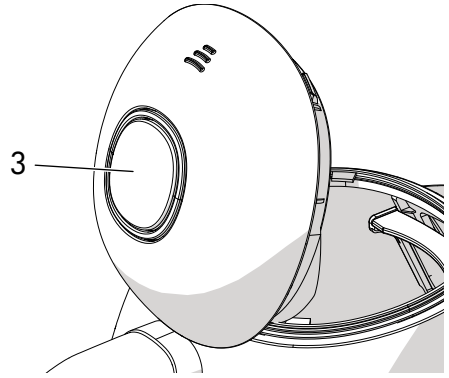
## 2.2 Description of parts

### Anti-drip spout (1)



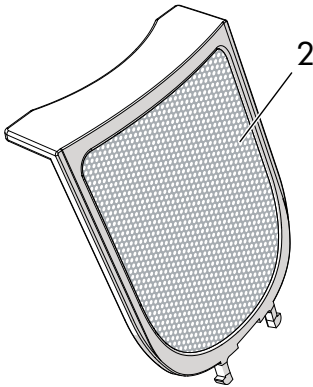
The large stainless-steel spout allows water to be poured easily and without spillage.

### Lid with push-push opening (3)



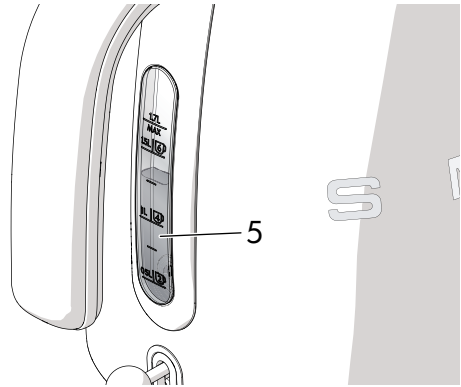
The lid has a push-push button (3) which allows it to open progressively to prevent the sudden release of steam.

### Scale filter (2)



The stainless-steel filter is located behind the spout. It retains any scale present in the water.

### Water level indicator (5)



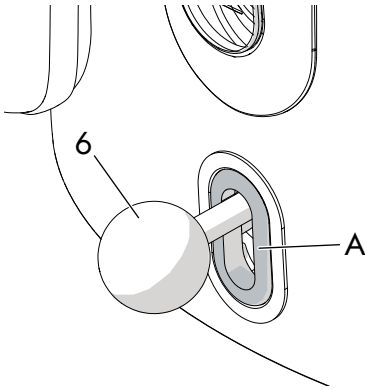
This indicator shows the level of water in the kettle, from the minimum fill level of 0.5 litres to the maximum of 1.7 litres, also showing the corresponding quantity in cups.





## Description

### ON/OFF lever with indicator light (6)

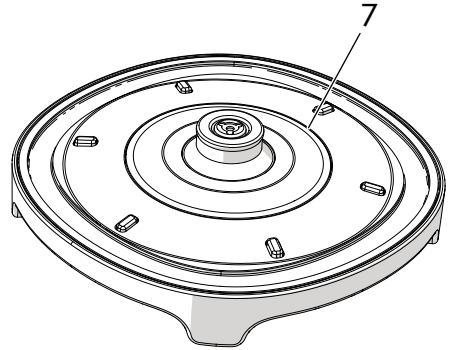


The ON/OFF lever starts or stops the boiling process. When the kettle is on, the LED **A** turns on and becomes white.

**i** To avoid damaging the appliance, the kettle is equipped with a **safety device** which turns the lever to the OFF position automatically if the kettle is accidentally switched on without water.

If this occurs, let the kettle cool down before starting the boiling cycle again.

### Cordless base with 360° operation (7)



The base's 360° operation allows the kettle to be used in any position.



## 3 Use



### Danger of electrocution

- Plug into a earthed 3-prong outlet.
- Do not remove the earth prong.
- Do not use an adapter.
- Do not use an extension cord.
- Failure to follow these instructions could result in death, fire, or electrical shock.
- Avoid spillage on the power cord.

### 3.1 Before first use

1. Remove all stickers and labels from the kettle and clean the outside with a damp cloth.
2. Remove the scale filter behind the spout and wash it under running water.
3. Replace the filter in the correct position.
4. Remove the kettle from its base, press the button to open the lid and fill it to the maximum level.
5. Close the lid again, place the kettle down on its base and push the ON/OFF lever down to turn it on.
6. Wait for the water to boil, then empty the kettle, disposing of the boiling water safely. Repeat this operation at least three times.



### Hot surfaces

- Surfaces are liable to get hot.



### Tips and suggestions for the user

- Do not use the kettle to heat anything other than water – this would risk causing severe damage to the appliance.
- Only boil the quantity of water required so as not to waste water, electricity and your time.
- Always boil cold water to improve the quality of your hot drinks.

To increase the appliance's lifetime:

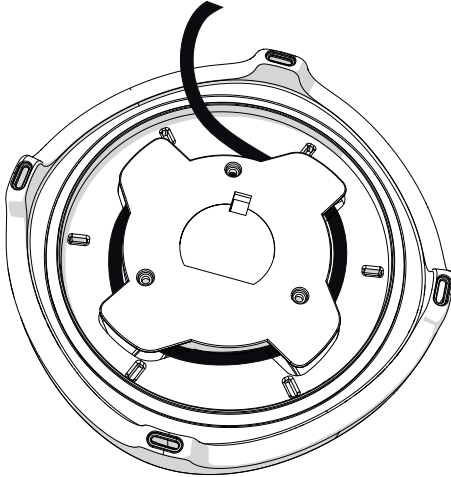
- Empty any remaining water from the kettle after each use.
- Regularly remove any scale from inside the kettle.

- Any slight marks or rings inside the kettle are normal and due to functional inspections which are performed on each unit before packaging.

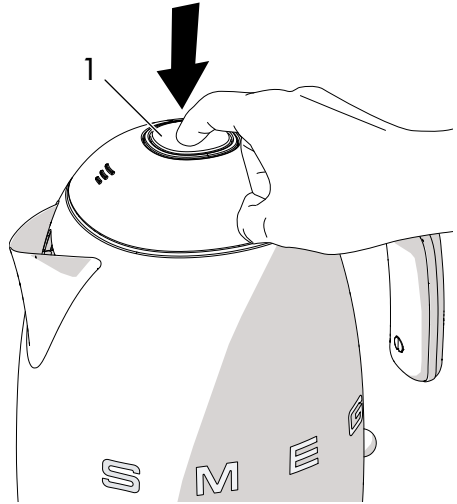


## 3.2 Operation

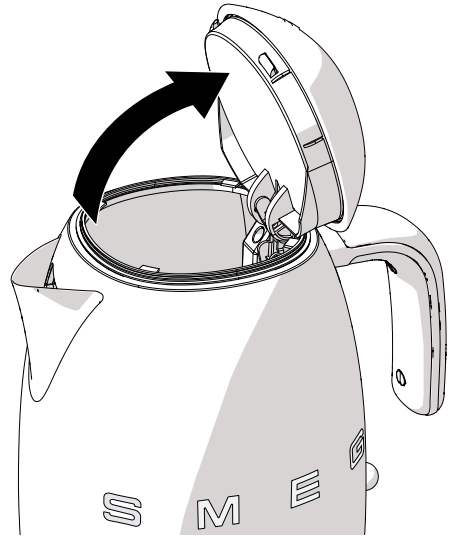
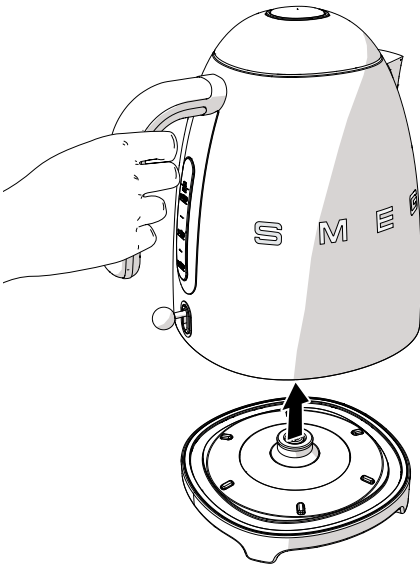
1. If necessary, shorten the length of the power cable by winding it under the base.



3. Press the button (1) to open the lid.

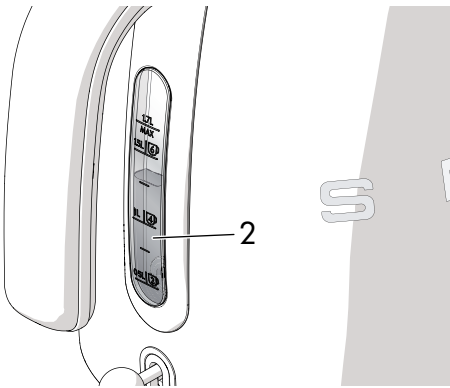


2. Hold the kettle by its handle when removing it from the base.

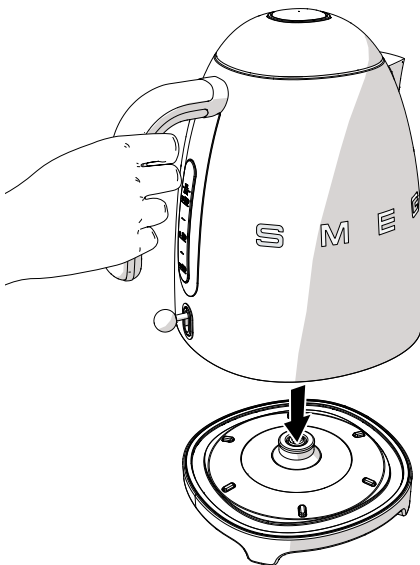




4. Fill the kettle with the required quantity of water, referring to the marks on the level indicator (2).

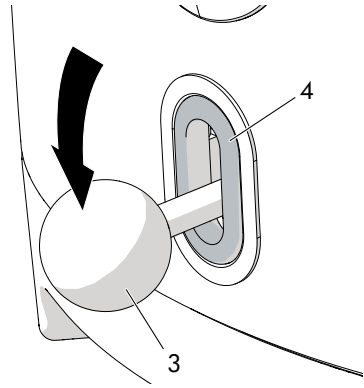


5. Close the lid again and place the kettle back on its base.



6. Insert the plug into the power socket.

7. Push the lever (3) downwards to turn the kettle on. The LED (4) will turn on and become white.



8. When the water boils, the lever will automatically click into the up (OFF) position and the LED will turn off.
9. Pick up the kettle by the handle and pour the boiling water into the desired recipient (cups, teapot etc.).



### Danger of burns

- Wait a few seconds from when the kettle boils, then pour the water out slowly to prevent it spraying or coming out too fast.
- Do not fill the kettle beyond the maximum level (1.7 litres) – risk of burns when pouring.
- Do not tilt the hot kettle excessively – the boiling water could spray out, with a risk of burns.
- Keep your face a safe distance from the lid to avoid the risk of burns from escaping steam.



## 4 Cleaning and maintenance

### 4.1 Instructions



**Improper use**  
**Danger of electrocution**

- Unplug the kettle before cleaning it.



**Hot appliance**  
**Danger of burns**

- Let the appliance cool down before cleaning.



**Improper use**  
**Risk of damage to surfaces**

- Do not use steam jets to clean the appliance.
- Do not use cleaning products containing chlorine, ammonia or bleach.
- Do not use abrasive or corrosive detergents (e.g. powder products, stain removers and metallic scourers).
- Do not use rough or abrasive materials or sharp metal scrapers.

### 4.2 Cleaning the surfaces

To keep the kettle's outside surfaces in good condition, they should be cleaned regularly after use. Let them cool first.

### 4.3 Ordinary daily cleaning

Always use only products which do not contain abrasive substances or chlorine-based acids.

Pour the product onto a damp cloth and wipe the surface, wipe clean thoroughly and then dry with a soft cloth or a microfibre cloth.

For cleaning the filter, see the section 4.4 Cleaning the filter.



### Tips and suggestions for the user

Clean the outside surfaces of the kettle and perform the cleaning operations indicated in section "3.1 Before first use" from point 2 to point 6 if the kettle is left unused for a long time.

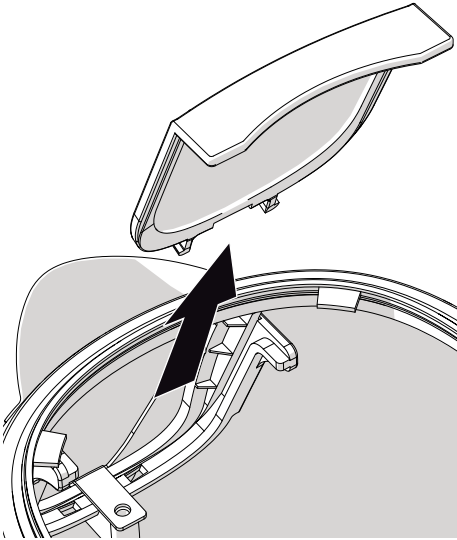
## 4.4 Cleaning the filter



### Important

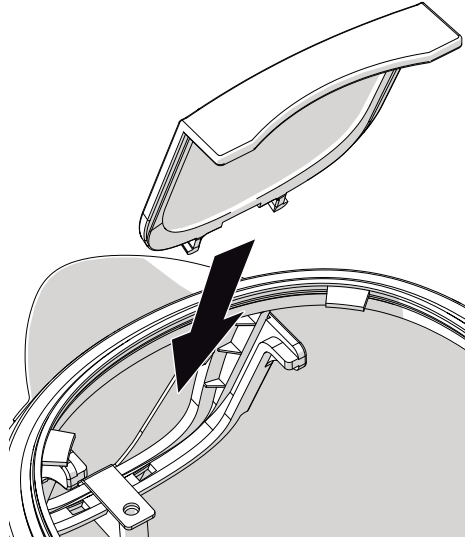
When washing the filter, make sure your hands are clean and free of any residue from soap, creams or other products which could contaminate the water.

1. Open the lid and extract the filter.



2. Wash the filter under running water with the aid of a soft brush.

3. Put the filter back in position behind the spout.





### 4.5 Descaling

Regularly removing any deposits of scale inside the kettle will prolong your kettle's life, ensuring maximum performance and energy savings.

The kettle can be descaled using specific descaling products.



#### Improper use

#### Risk of damage to the appliance

- Do not use descaling products for cleaning bathrooms or kitchens, or scented products.

Leave the descaling product to act, then rinse thoroughly. Then boil at least two full kettles of water, disposing of the boiling water safely, to remove any residue of the product before use.

Alternatively, you can use common household vinegar.

Proceed as follows:

1. Fill the kettle with water (1 litre) and boil it.
2. Add the white vinegar (from 0.1 to 0.5 l depending on the amount of scale).
3. Leave it to act overnight.
4. Empty the kettle.
5. Fill the kettle with water and boil it. Empty the kettle, disposing of the water safely. Repeat this operation at least twice.



#### Tips and suggestions for the user

- Scale build-up can cause the kettle to switch off during use before the water has boiled. Boiling times could also be increased.
- If the kettle is used daily, or if it becomes more difficult to pour out the water, descale the kettle and filter more frequently.
- In some regions the water is harder, and in these areas it could have a cloudy appearance and leave residue on the walls of the kettle. In this case, clean the inside of the kettle more frequently or use purified/softened water.



## 4.6 What to do if...

| Problem                              | Cause  | Solution   |
|--------------------------------------|--|--|
| Pouring water becomes more difficult | Scale build-up on filter   | Check that the filter is clean and correctly positioned  |
| The kettle turns off before boiling  | The base of the kettle has excessive scale build-up                              | Descale more frequently  |
|                                      | Too little water has been added to the kettle                                    | Increase the quantity of water until you reach at least the minimum level  |
| The appliance does not turn on       | The safety device has tripped out due to the kettle being operated without water | Let the kettle cool down before attempting to boil water again   |
|                                      | The plug is not properly inserted in the power socket                            | Insert the plug into the power socket. Do not use adaptors or extensions.<br>Check that the house's main breaker is on |
|                                      | The cable is defective   | Have the cable replaced at an Authorised Service Centre  |
|                                      | Lack of power  | Check that the house's main breaker is on  |





