



GB Visit <https://hamiltonbeach.global> for our complete line of products and Use and Care Guides – as well as delicious recipes, tips, and to register your product online!

يرجى زيارة **AR**

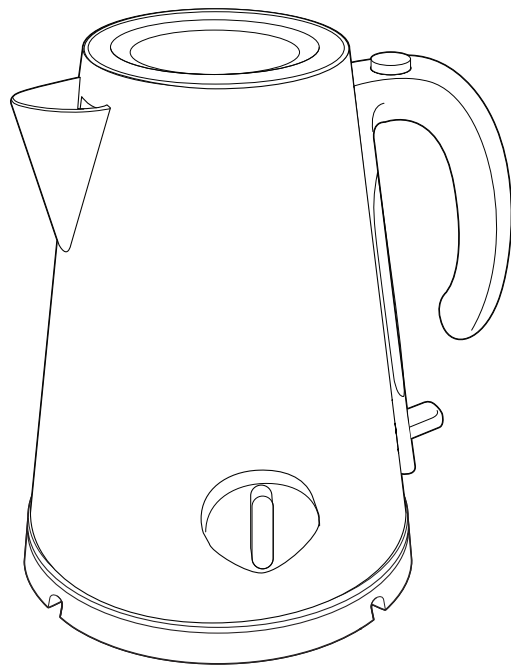
الموقع <https://hamiltonbeach.global> للاطلاع على مجموعة المنتجات الكاملة ودليل الاستخدام والرعاية، فضلاً عن وصفات لذیذة ونصائح، كما يمكنك تسجيلك المنتج الذي اشتريته على الإنترنت!

ZH 請訪問 <https://hamiltonbeach.global>，查看我們的完整產品系列以及使用和保養指南、美味食譜和小貼士，並在線註冊購買的產品！

MS Lawati <https://hamiltonbeach.global> untuk barisan produk kami yang lengkap dan Panduan Penggunaan dan Penjagaan – begitu juga dengan resipi yang sedap, tip dan untuk daftar barang anda secara dalam talian!

FR Rendez-vous sur le site Internet <https://hamiltonbeach.global> pour consulter notre gamme complète de produits ainsi que nos guides d'utilisation et d'entretien - vous pourrez aussi consulter de délicieuses recettes, des astuces et enregistrer votre produit en ligne !

Hamilton Beach®



GB **Electric Kettle**
Operation Manual – Original Instructions (2)

AR **غلاية كهربائية**
دليل التشغيل (12)

ZH **電水壺**
操作手冊 (22)

MS **Cerek Elektrik**
Manual Pengendalian (32)

FR **Bouilloire électrique**
Manuel d'utilisation (42)

Type: K22

IMPORTANT SAFEGUARDS

When using electrical appliances, basic safety precautions should always be followed to reduce the risk of fire, electric shock, and/or injury to persons, including the following:

1. **R**ead all instructions.
2. **T**his appliance is not intended for use by persons (including children) with reduced physical, sensory, or mental capabilities, or lack of experience and knowledge, unless they are closely supervised and instructed concerning use of the appliance by a person responsible for their safety.
3. **C**lose supervision is necessary when any appliance is used by or near children. **C**hildren should be supervised to ensure that they do not play with the appliance.
4. **D**o not touch hot surfaces or hot water. **U**se handles or knobs. **C**are must be taken as burns can occur from touching hot parts or from spilled, hot liquid.
5. **T**o protect against fire, electric shock, and injury to persons, do not immerse cord, plug, power base, or electric kettle in water or other liquid.
6. **U**nplug from socket when not in use and before cleaning. **A**llow to cool before putting on or taking off parts and before cleaning the appliance.
7. **D**o not operate any appliance with a damaged supply cord or plug, or after the appliance malfunctions or has been dropped or damaged in any manner. **S**upply cord replacement and repairs must be conducted by the manufacturer, its service agent, or similarly qualified persons in order to avoid a hazard. **C**all the provided customer service number for information on examination, repair, or adjustment.

8. **T**he use of accessory attachments not recommended by the appliance manufacturer may result in fire, electrical shock, or personal injury.
9. **D**o not use outdoors.
10. **K**ettle must be operated on a flat surface away from the edge of counter to prevent accidental tipping.
11. **T**he kettle must only be used with stand provided.
12. **T**o avoid boiling water from being ejected, do not fill kettle above the maximum capacity mark.
13. **D**o not let cord hang over edge of table or counter or touch hot surfaces, including the stove.
14. **D**o not place electric kettle on or near a hot gas or electric burner or in a heated oven.
15. **T**o disconnect electric kettle, turn any control to OFF (○) and then remove plug from wall socket. **N**ever pull on the cord to remove the plug from a socket as this can damage the cord and cause a risk of fire and electric shock.
16. **D**o not use appliance for other than intended use.
17. **D**o not use for other than heating water. **O**ther liquids or food will contaminate the interior and void warranty.
18. **D**o not allow kettle to boil dry.
19. **T**o avoid circuit overload, do not operate another high-wattage appliance on the same circuit.
20. **S**calding may occur if the lid is opened during the heating cycle.
21. **B**e certain kettle lid is securely in place during operation and when pouring hot water. **D**o not use force when placing lid on kettle.

22. **CAUTION!** In order to avoid a hazard due to inadvertent resetting of the thermal cut-out, this appliance must not be supplied through an external switching device, such as a timer, or connected to a circuit that is regularly switched on and off by the utility.

24. **Your plug** is provided with a 13-amp fuse

approved by **ASTA** to **B.S. 1362**. If you need a replacement fuse carrier, it must be replaced with the same colour-coded carrier with the same markings. **F**use covers and carriers can be obtained from approved service agents.

25. **K**ettle will remain hot for some time after it is turned off.

SAVE THESE INSTRUCTIONS

Other Consumer Safety Information

This appliance is intended to be used in household and similar applications such as: staff kitchen areas in shops, offices, and other working environments; farm houses; by clients in hotels, motels, and other residential-type environments; and bed and breakfast-type environments.

The length of the cord used on this appliance was selected to reduce the hazards of becoming tangled in or tripping over a longer cord. If a longer cord is necessary, an approved extension cord may be used. The electrical rating of the extension cord must be equal to or greater than the rating of the appliance. If the appliance is of the grounded type, the extension cord should be a grounding-type, 3-wire cord. Care must be taken to arrange the extension cord so that it will not drape over the countertop or tabletop where it can be pulled on by children or accidentally tripped over.



Recycling the Product at the End of Its Service Life

The wheeled bin symbol marked on this appliance signifies that it must be taken over by a selective collection system conforming to the WEEE Directive so that it can be either recycled or dismantled in order to reduce any impact on the environment. The user is responsible for returning the product to the appropriate collection facility, as specified by your local code. For additional information regarding applicable local laws, please contact the municipal facility and/or local distributor.

Parts and Features

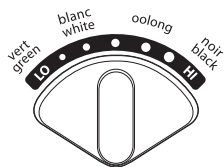
Model 40992-SAU

Type: K22

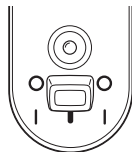
Ratings:

220-240 V~ 50-60 Hz 1850-2200 Watts

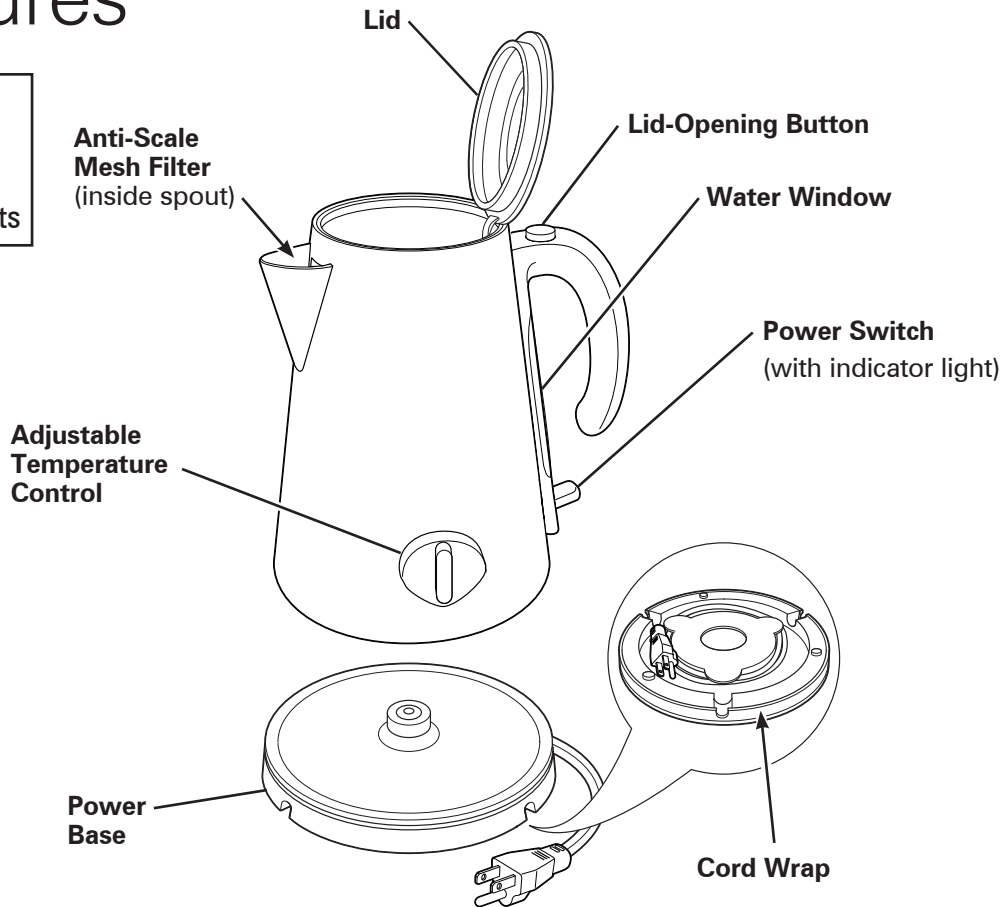
Adjustable Temperature Control



Power Switch (with indicator light)

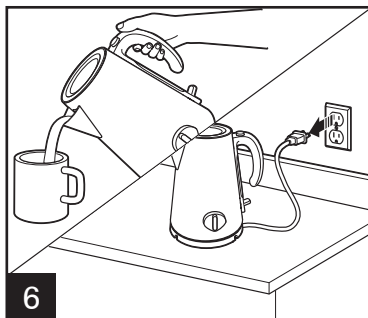
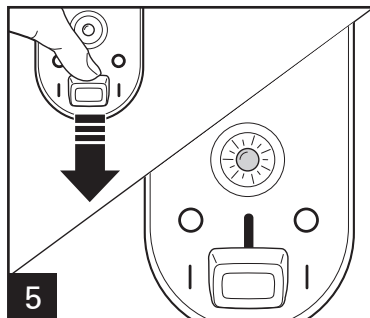
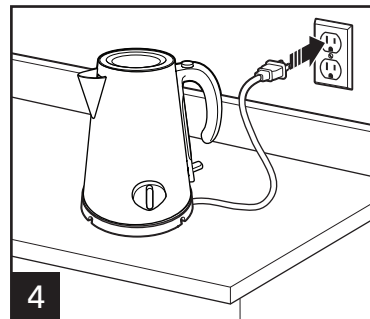
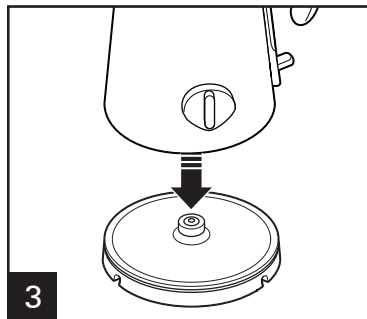
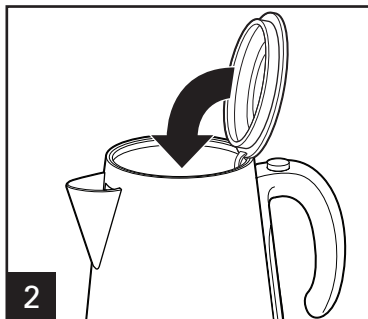
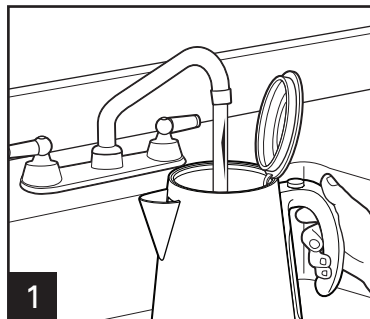


NOTE: Press power switch down to turn the kettle ON (I). The red indicator light will come on. When the water is heated and ready, the power switch will flip to the OFF (O) position and the indicator light will turn off.



Using the Electric Kettle

⚠ CAUTION **Burn Hazard.** Do not overfill kettle. Boiling water may spit out of the spout.



NOTE: Press power switch down to turn the kettle ON (I). The red indicator light will come on. When the water is heated and ready, the power switch will flip to the OFF (O) position and the indicator light will turn off.







NOTE: Only use kettle to heat water. If kettle is used to heat other liquids, such as coffee or tea, the warranty will be voided.

Tea Guide

- Bring filtered or good-tasting tap water to a boil in the kettle. Use 6 ounces (177 ml) of water per cup of tea.
- If using loose tea instead of tea bags, measure 1 rounded teaspoon of tea per cup into an infuser and place the infuser in the cup. If no infuser is available, put the tea directly into the cup.
- Pour heated water directly over the tea. For stronger tea, add more leaves rather than infusing longer than is recommended.

NOTE: Tea that is oversteeped will become bitter.

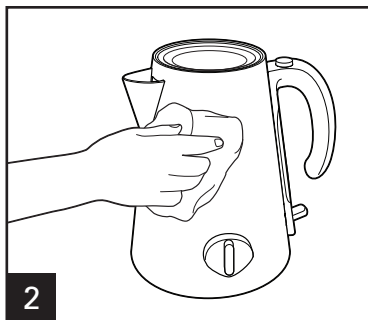
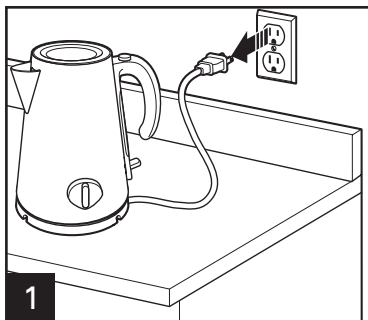
Recommended Temperature Settings and Steeping Times

Green	White	Black	Oolong	Darjeeling	Herbal
					
Lo	Med-Lo	Hi	Med-Hi	Med-Hi	Hi
1-3 Min.	3-4 Min.	3-5 Min.	3-5 Min.	3-5 Min.	5 Min.

NOTE: Recommended temperature settings are based on brewing a full pot of water and can vary depending on a number of factors, such as altitude, impurities in the water, and the amount of water in the kettle.

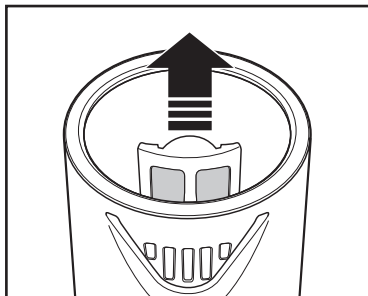
How to Clean

⚠ WARNING Electrical Shock Hazard. Do not immerse kettle, power base, or plug in water or any other liquid.



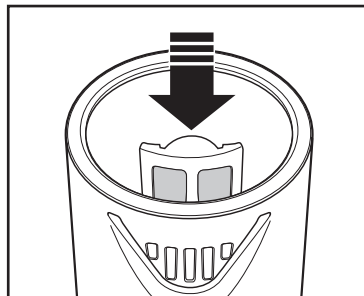
1. With kettle unplugged, empty any remaining water and rinse. Allow kettle to cool. To avoid scale/lime deposit buildup, empty kettle after each use.
2. To remove discoloration or scale/lime deposit from heating element: Place 1/2 teaspoon (2.5 ml) cream of tartar (available in the spice aisle of grocery store) into the kettle. Then fill the kettle 1/2 full with water. Plug in, turn ON (I), and bring to boil. Turn OFF (O), let cool, and rinse several times with clean tap water.
3. Wipe the exterior of kettle with a damp cloth. Do not use abrasive scouring pads or powders since they may scratch the smooth surface of the kettle.

To Remove Mesh Filter:



The mesh filter is visible through the kettle lid opening. Pull upwards on the tab to remove. Rinse filter periodically.

To Replace Mesh Filter:



To replace, slide the filter back into the slot, ensuring the tab is facing inwards. The filter will fit only one way.

Troubleshooting

PROBLEM

Kettle boils dry.

PROBABLE CAUSE

If your kettle is accidentally switched on without being filled with water, or is allowed to boil dry, the kettle will shut off automatically. You should:

- Turn the switch to OFF (○), unplug, and wait about 15 minutes for the element to cool down.
- Refill the kettle; then use as normal and check that the kettle functions correctly.

Kettle does not work.

Make these simple checks before calling the toll-free customer assistance number:

- Have you turned power switch to ON (I) position?
- If the kettle heats but does not boil, it might need descaling.
- Has the kettle been accidentally switched on without being filled with water or allowed to boil dry? Turn the switch to OFF (○), wait 15 minutes, and try again.
- Is cord firmly plugged into the socket?

Kettle floor discolors.

It is normal for stainless steel heating elements to discolor. This does not affect the performance of the kettle. Do not use abrasive scouring pads or cleaners since this may damage the stainless steel surface.